



GMB Bread Slicer

- Frame (Front View)
- Frame (Side View)
- Base
- Chute (Front View)
- Chute (Side View)
- Chute (Top View)
- Motor
- Crankshaft
- Blade (Front View)
- Blade (Side View)

4575-00669

3175-00153

Berkel

2.65

3475-00621

4575-00787

2275-00433

3675-00211

3675-00211

2175-03442

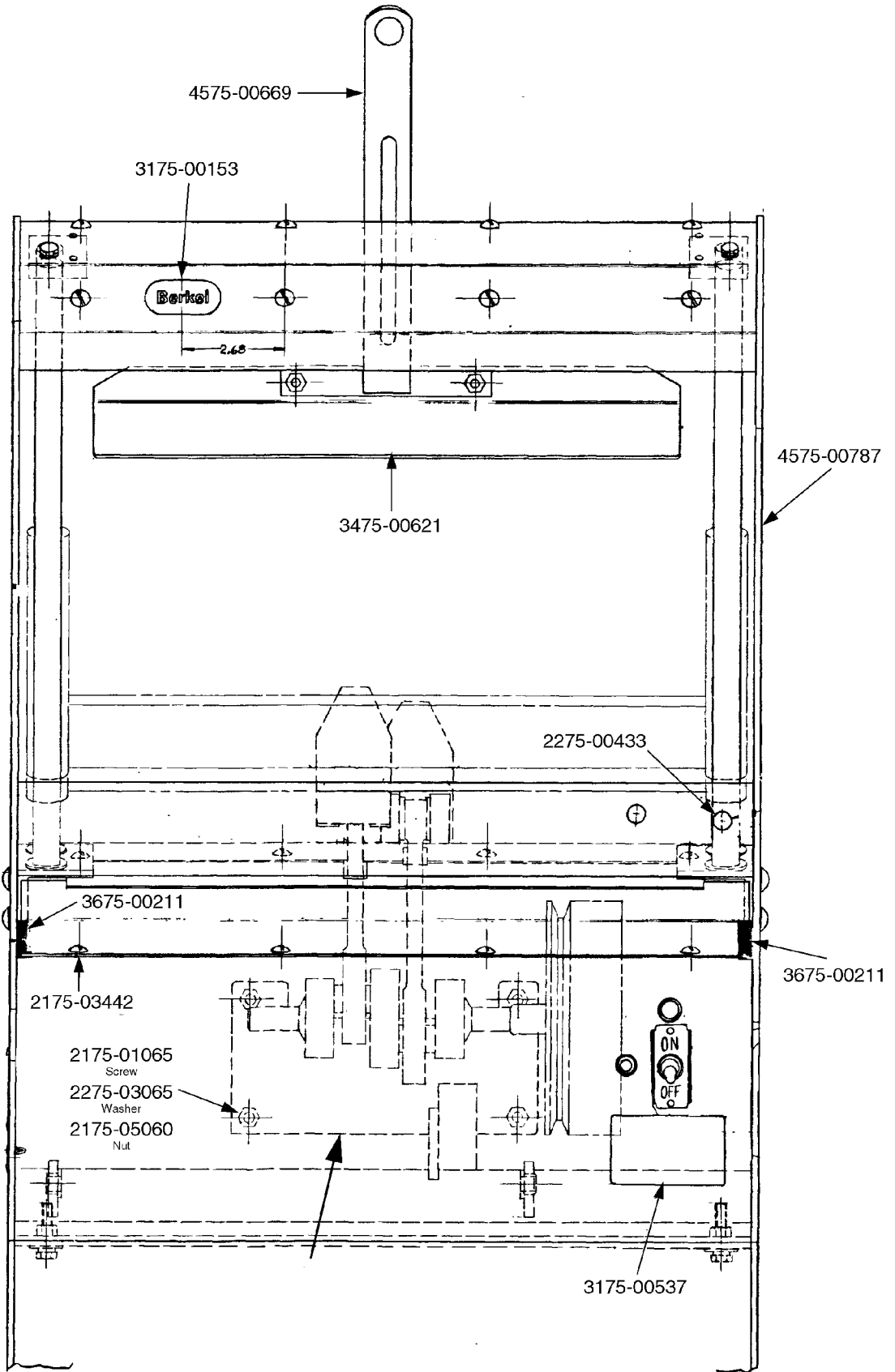
2175-01065
Screw

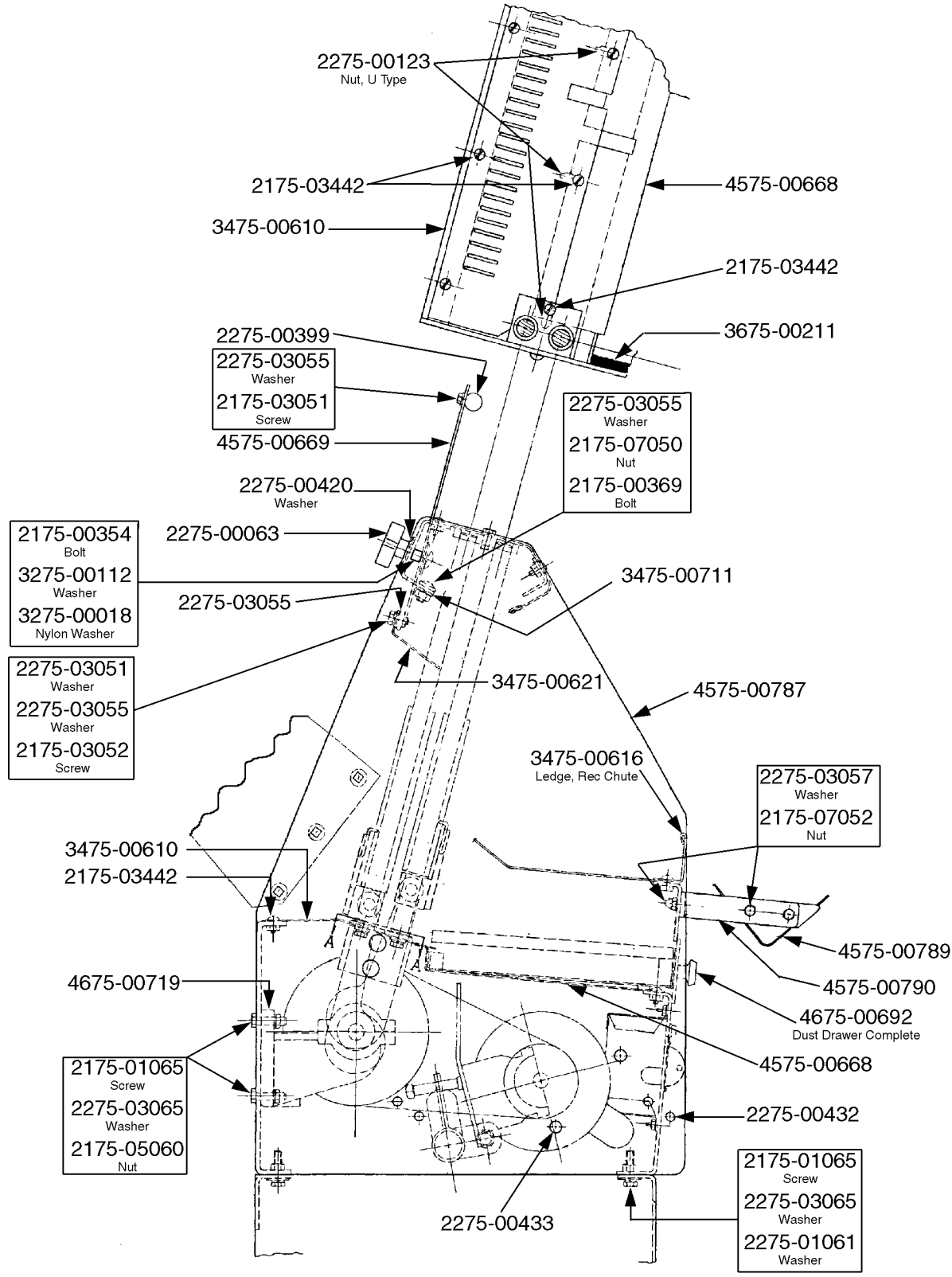
2275-03065
Washer

2175-05060
Nut



3175-00537



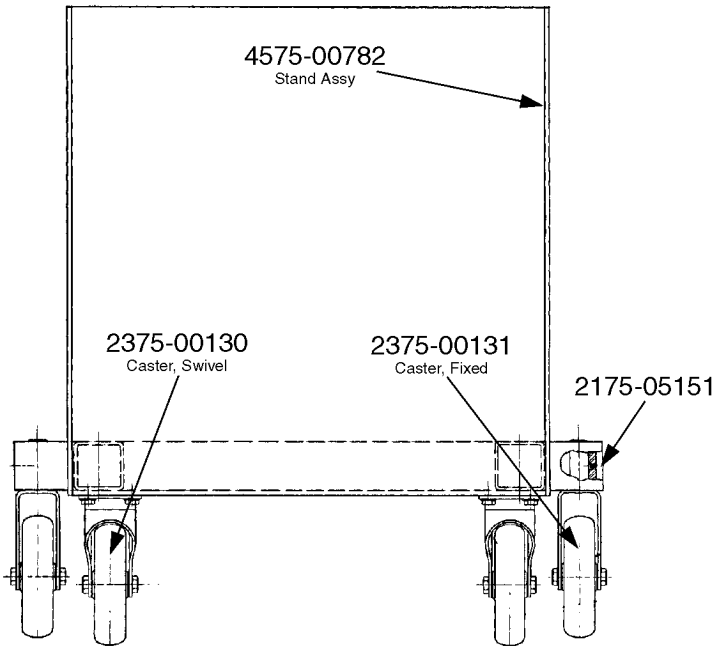


4575-00782
Stand Assy

2375-00130
Caster, Swivel

2375-00131
Caster, Fixed

2175-05151



2175-01062
Screw

2275-01060
Washer

2275-01065
Lock Washer

2175-05060
Nut

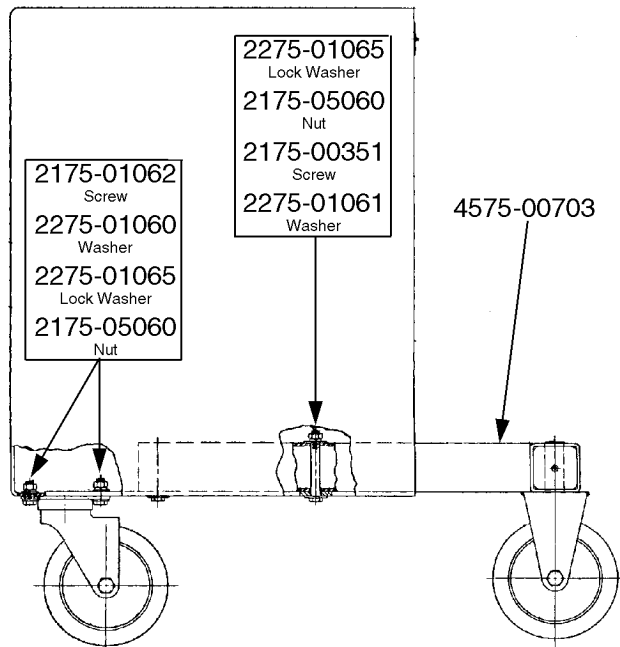
2275-01065
Lock Washer

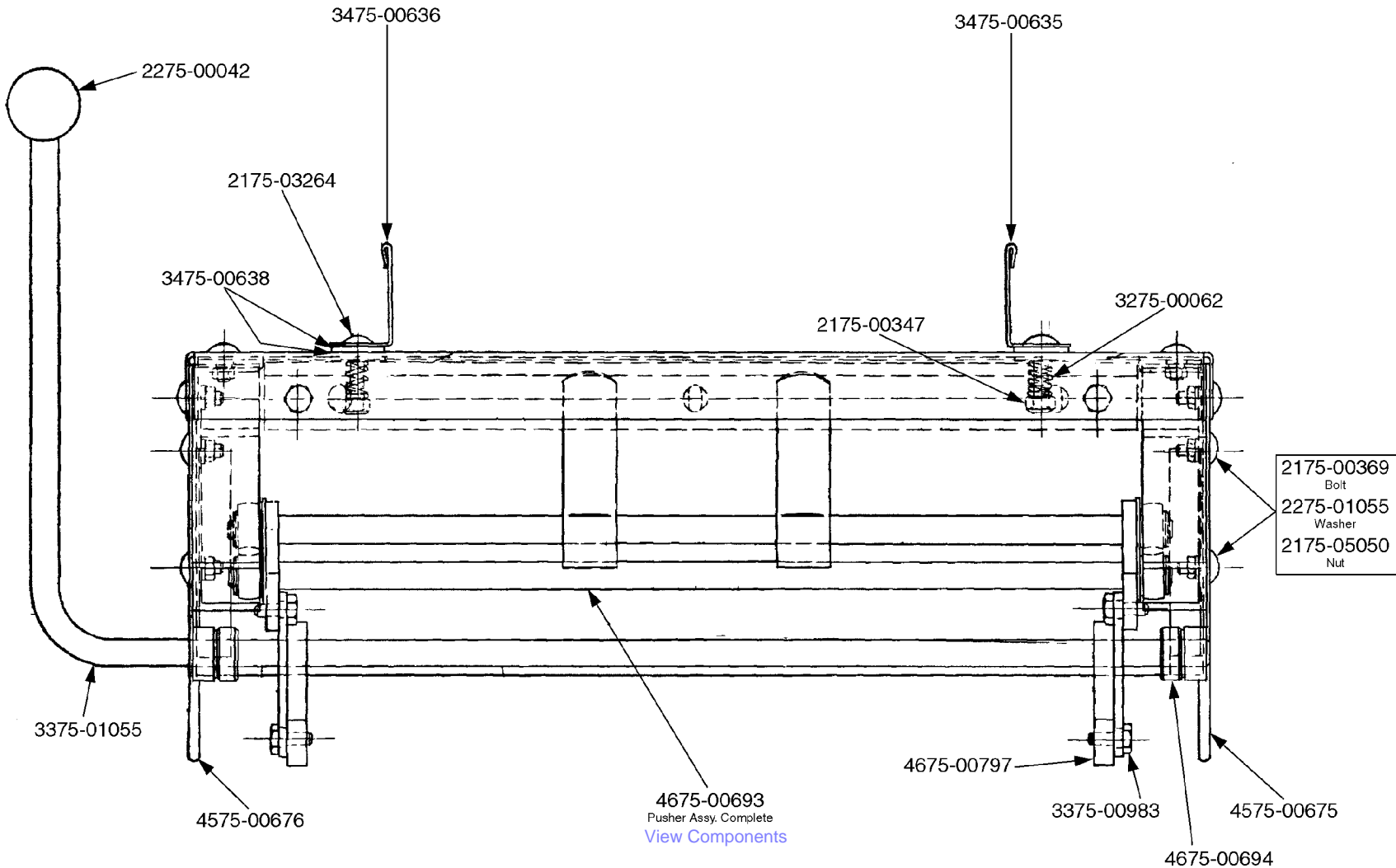
2175-05060
Nut

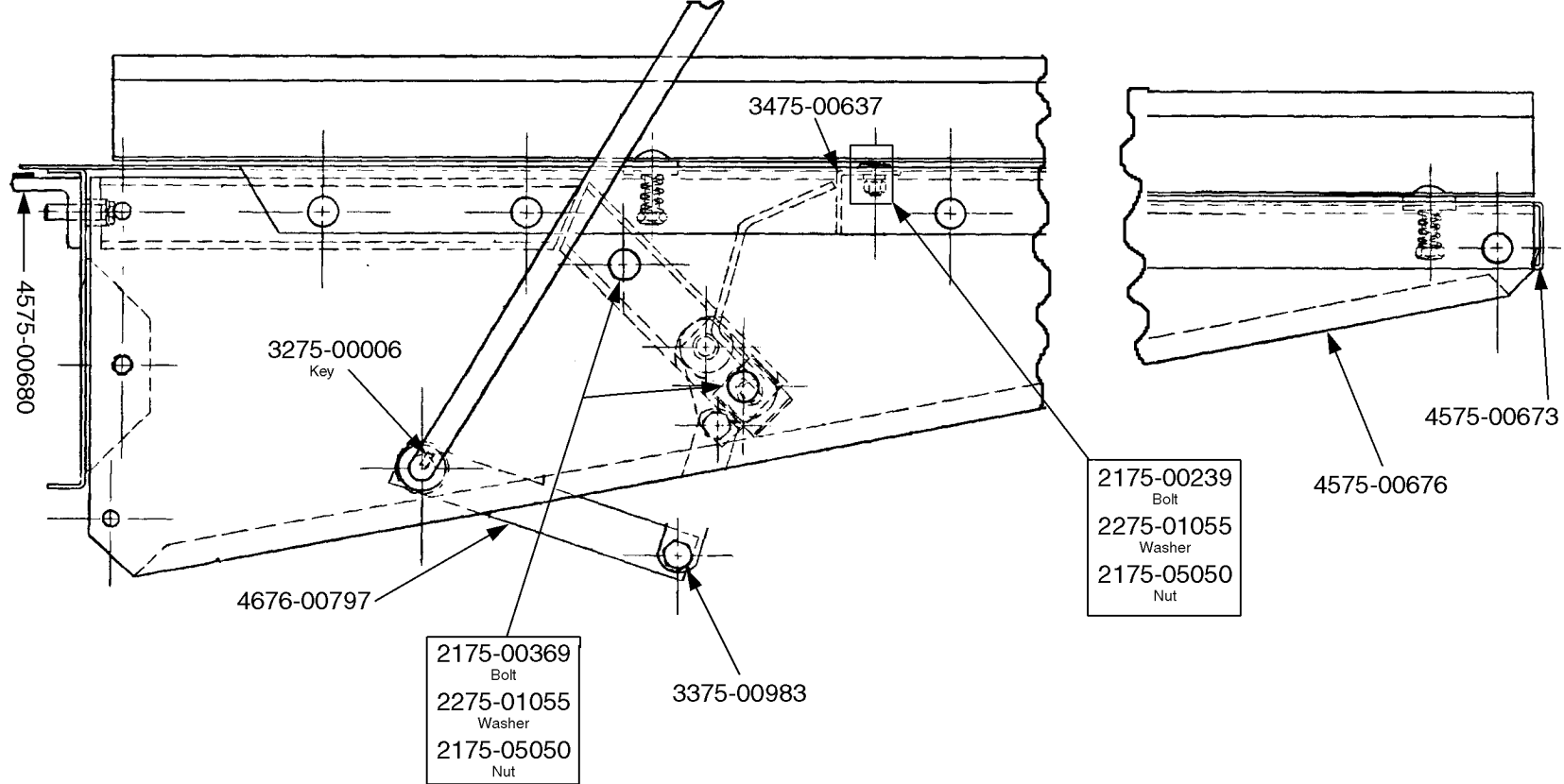
2175-00351
Screw

2275-01061
Washer

4575-00703







3375-00971

3375-00972

2175-00369
Bolt
2275-01055
Washer
2175-05050
Nut

2175-00396
Bolt
2275-01055
Washer
2175-05050
Nut

2175-00239
Bolt
2275-01055
Washer
2175-05050
Nut

2175-00239
Bolt
2275-01055
Washer
2175-05050
Nut

2175-00396
Bolt
2275-01055
Washer
2175-05050
Nut

2175-00369
Bolt
2275-01055
Washer
2175-05050
Nut

2175-01056
2275-01055
2275-01059

3475-00635

4575-00673

3475-00636

3375-00973

2175-03264

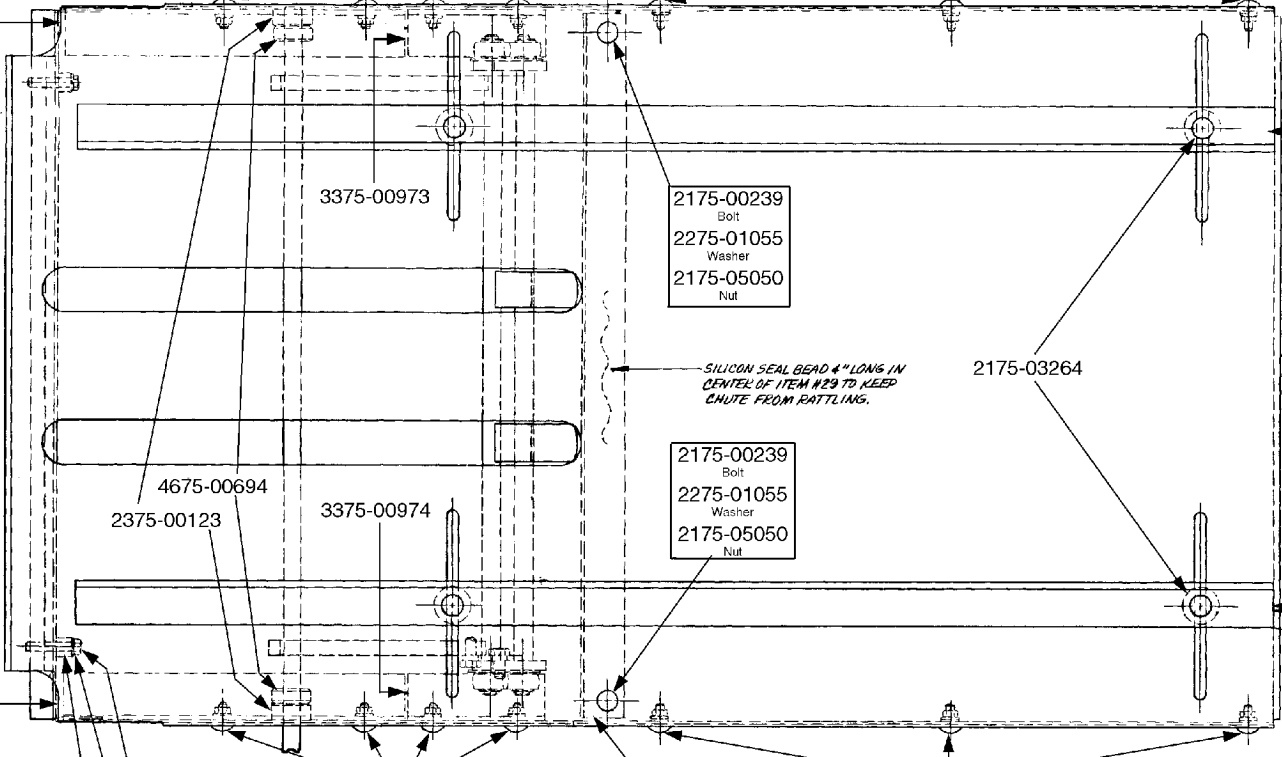
SILICON SEAL BEAD 4" LONG IN
CENTER OF ITEM #29 TO KEEP
CHUTE FROM RATTLING.

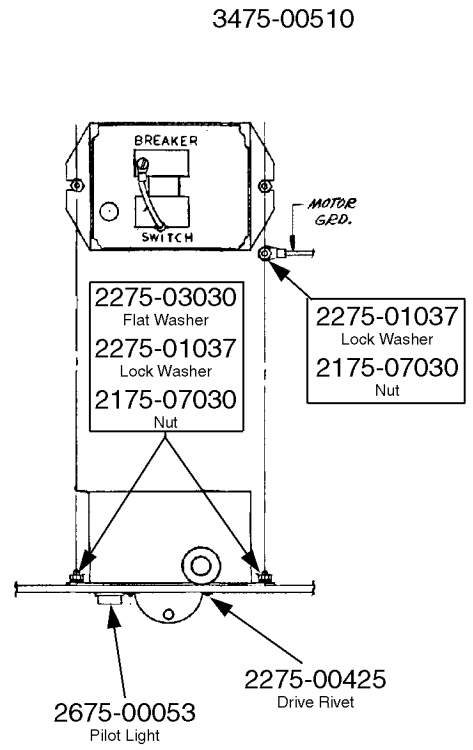
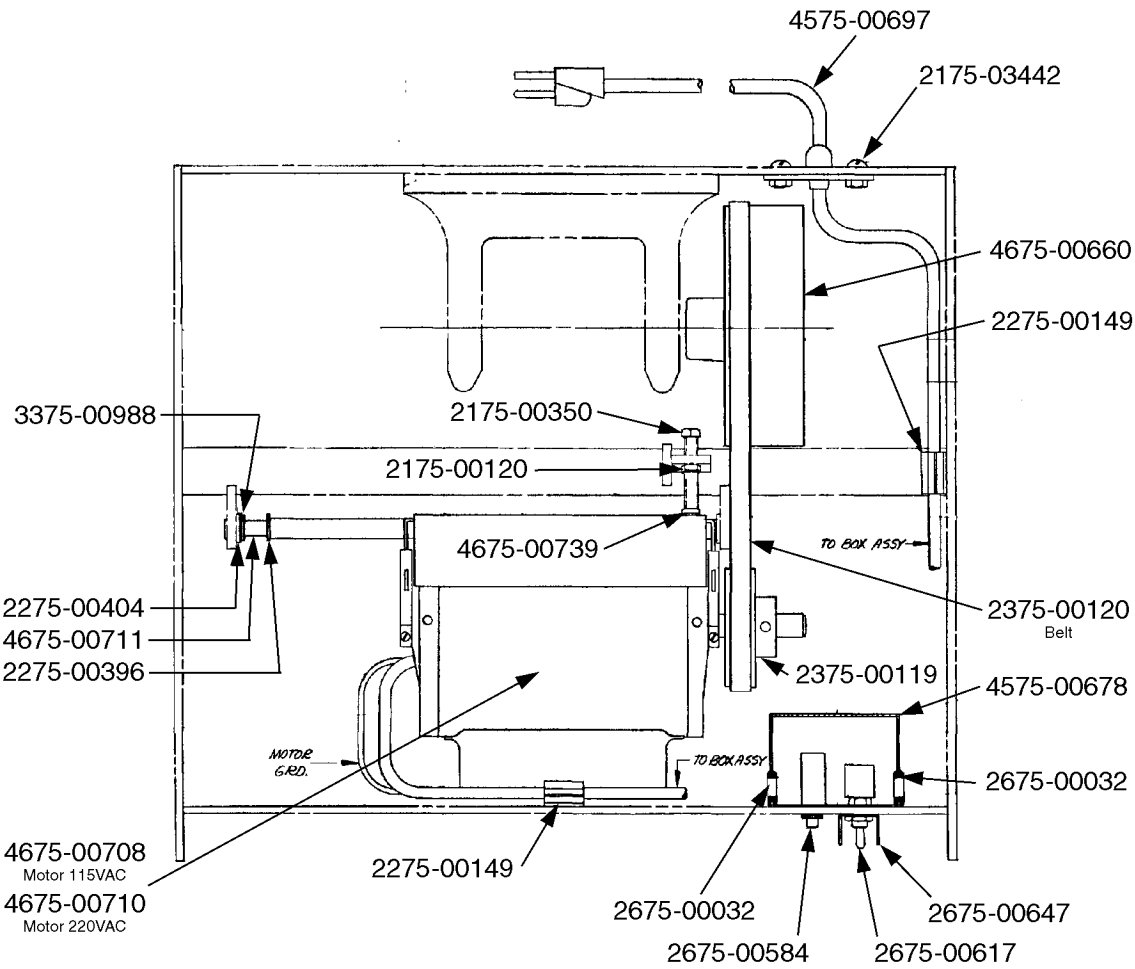
4675-00694

2375-00123

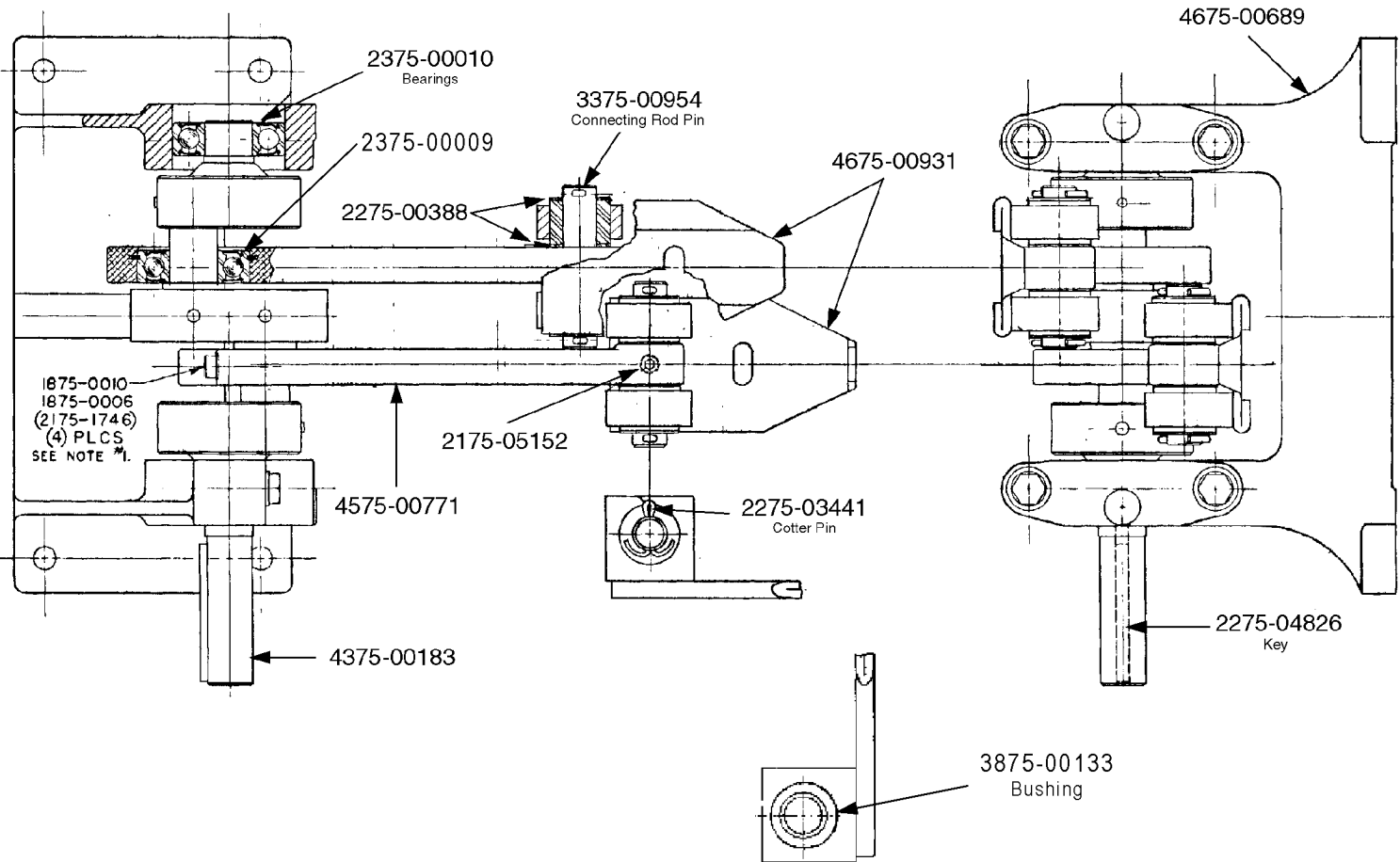
3375-00974

3475-00637
Pusher Stop



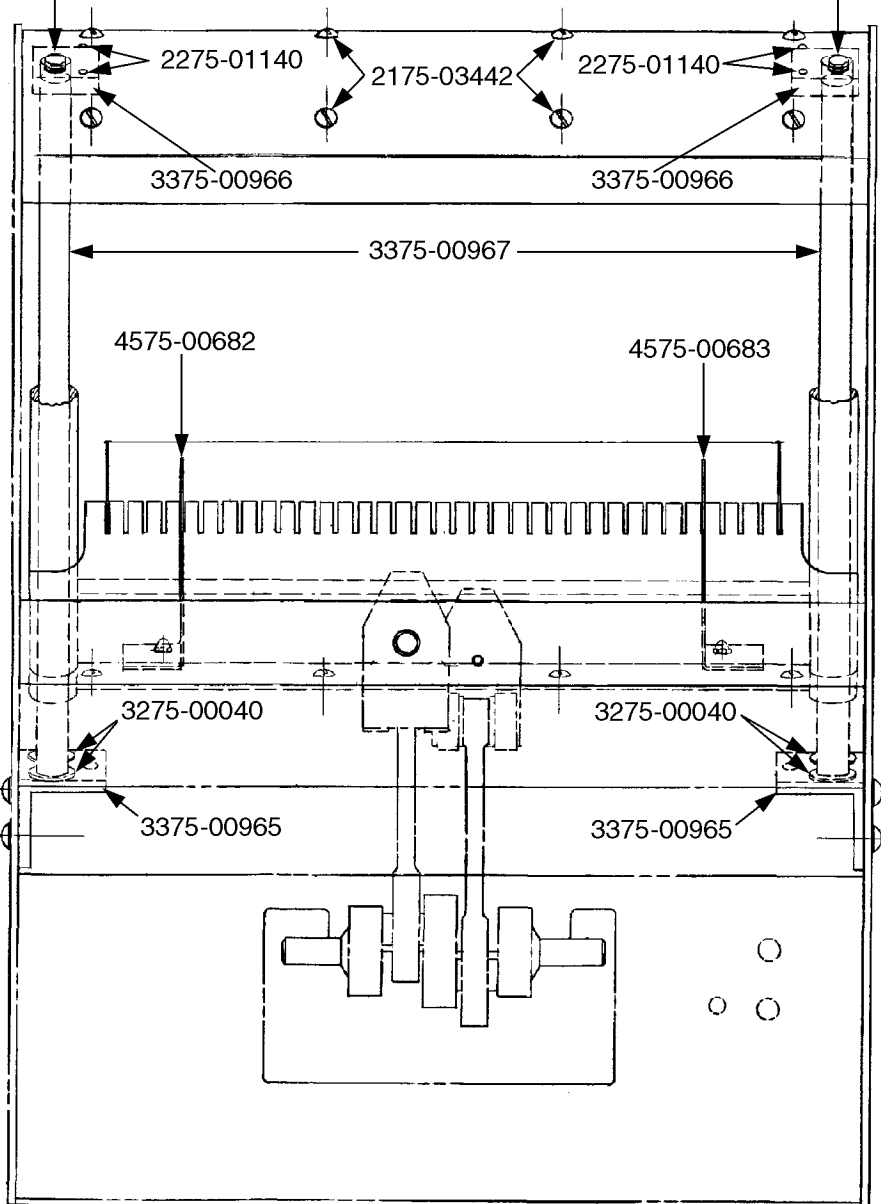


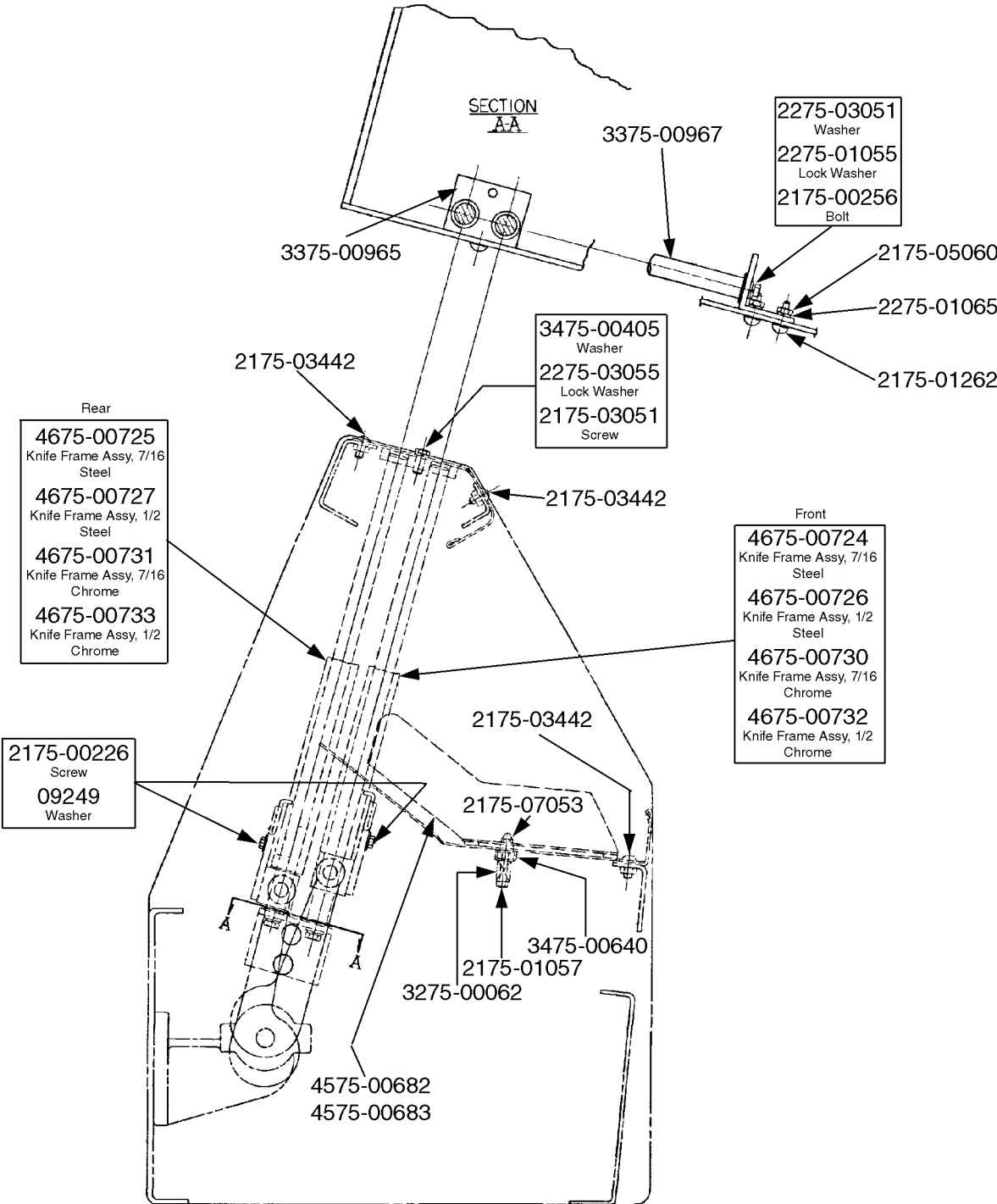
4675-00719 Crankshaft & Yoke Assy.



2175-03051
Bolt
2275-03055
Lock Washer
3475-00405
Washer

2175-03051
Bolt
2275-03055
Lock Washer
3475-00405
Washer





4575-00693

Std. Blade

4575-09693

Chrome Blade

4575-00968

SST Blade

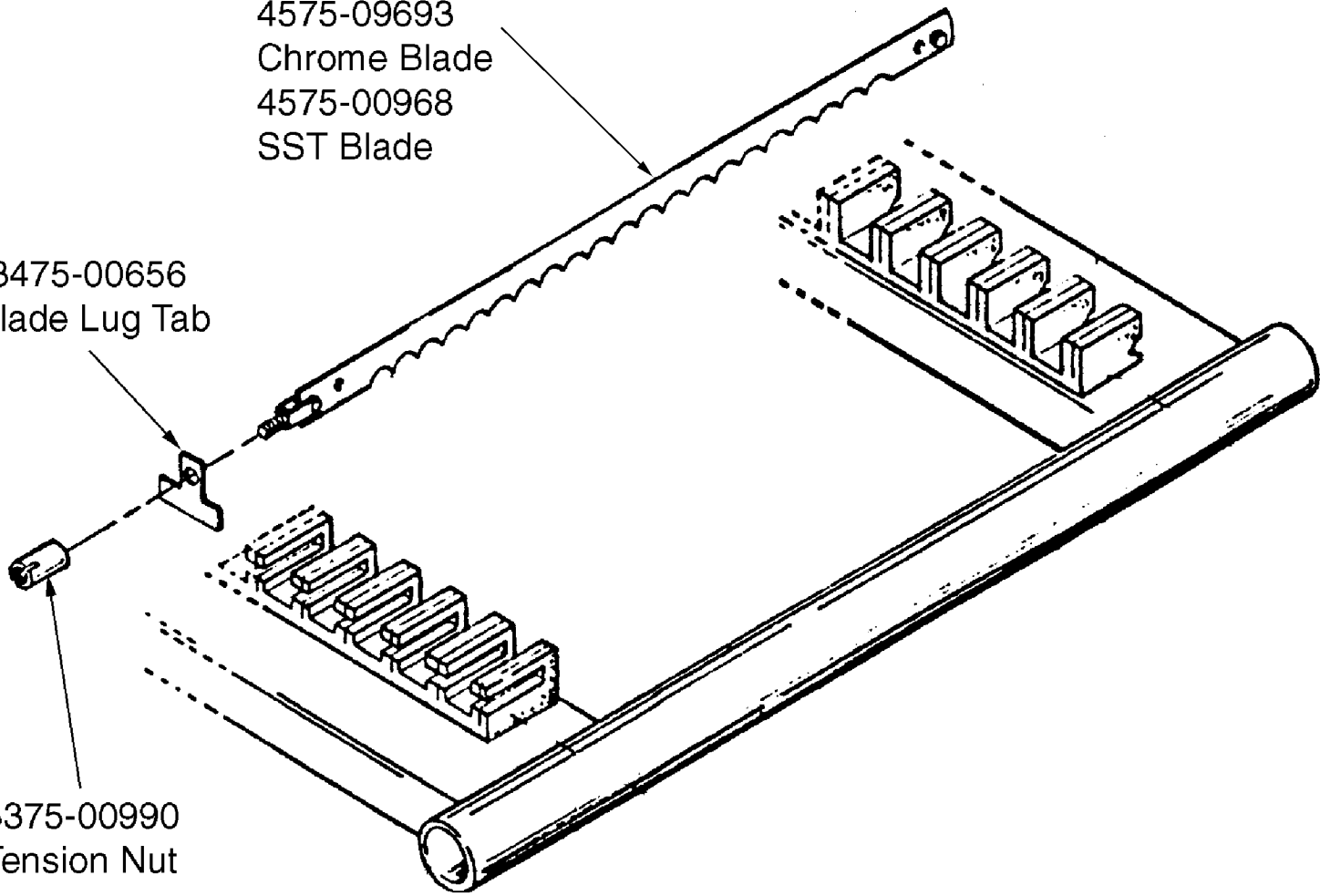
3475-00656

Blade Lug Tab



3375-00990

Tension Nut



Pusher Assembly Complete (4675-00693)

