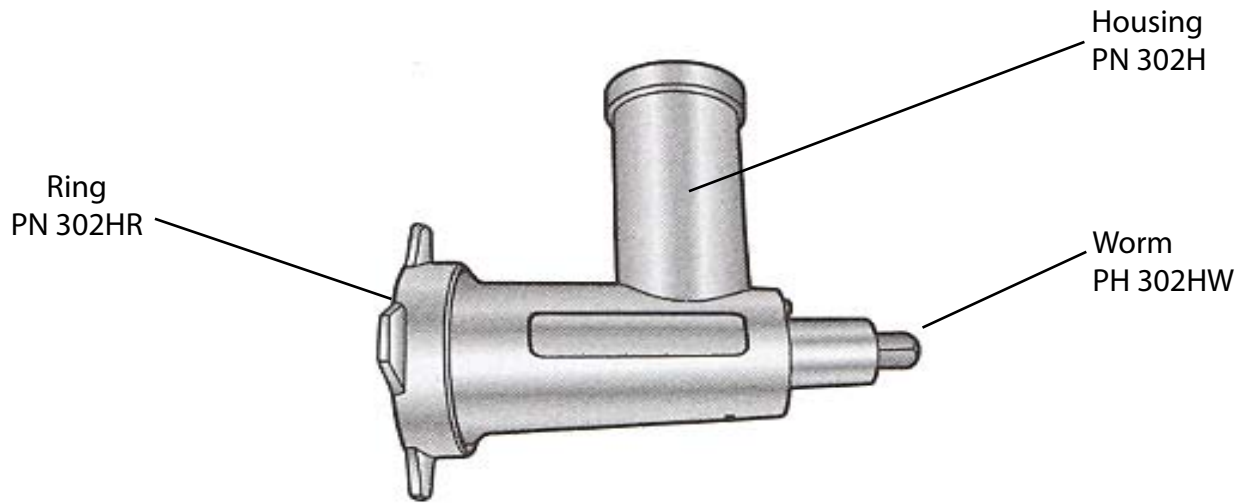
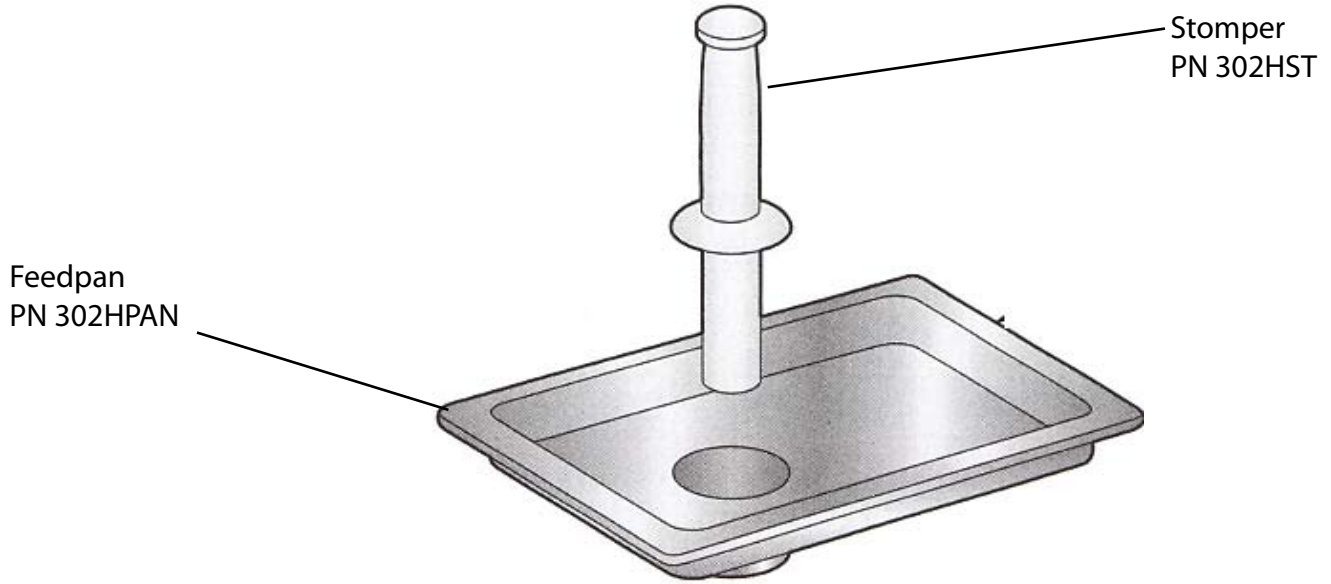


 **Varimixer**[™]



Meat Grinder Model 302



Plates and Knife



Part Number
302/KNIFE

| Plate Size | Part Number |
|------------|-------------|
| 1/16 | 302-1/16 |
| 3/32 | 302-3/32 |
| 1/8 | 302-1/8 |
| 5/32 | 302-5/32 |
| 3/16 | 302-3/16 |
| 1/4 | 302-1/4 |
| 5/16 | 302-5/16 |
| 3/8 | 302-3/8 |
| 1/2 | 302-1/2 |
| 5/8 | 302-1/2 |
| 3/4 | 302-3/4 |