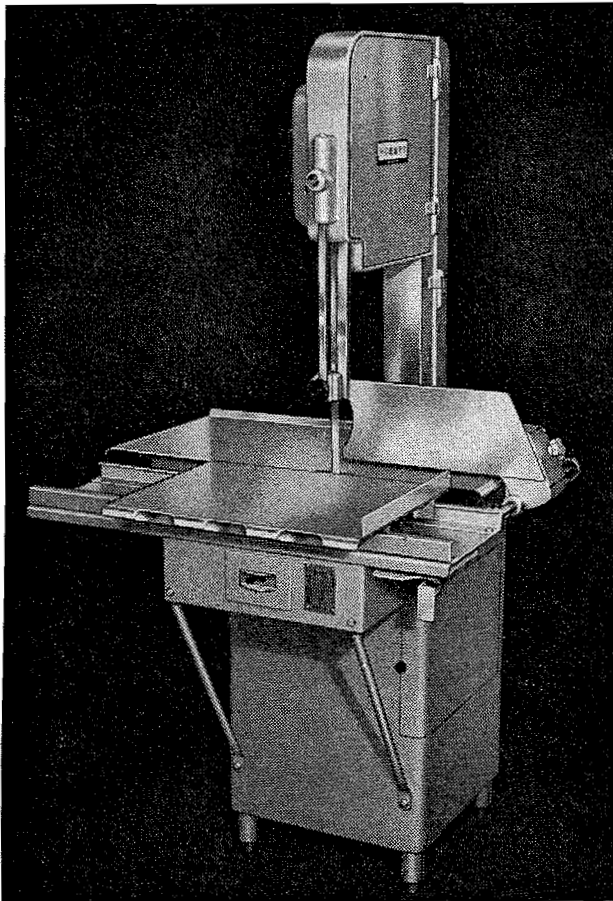


# INSTRUCTION MANUAL

. . . *with Catalog of Replacement Parts*



## HOBART

### MODEL 5114 MEAT SAW

Spec. #9060 (60 Cy.)

Spec. #9062 (50 Cy.)

## THE HOBART MANUFACTURING COMPANY



*The World's Oldest and Largest Manufacturer of Computing Scales  
and Food Store, Kitchen, Bakery and Dishwashing Machines*

### TROY, OHIO, U. S. A.

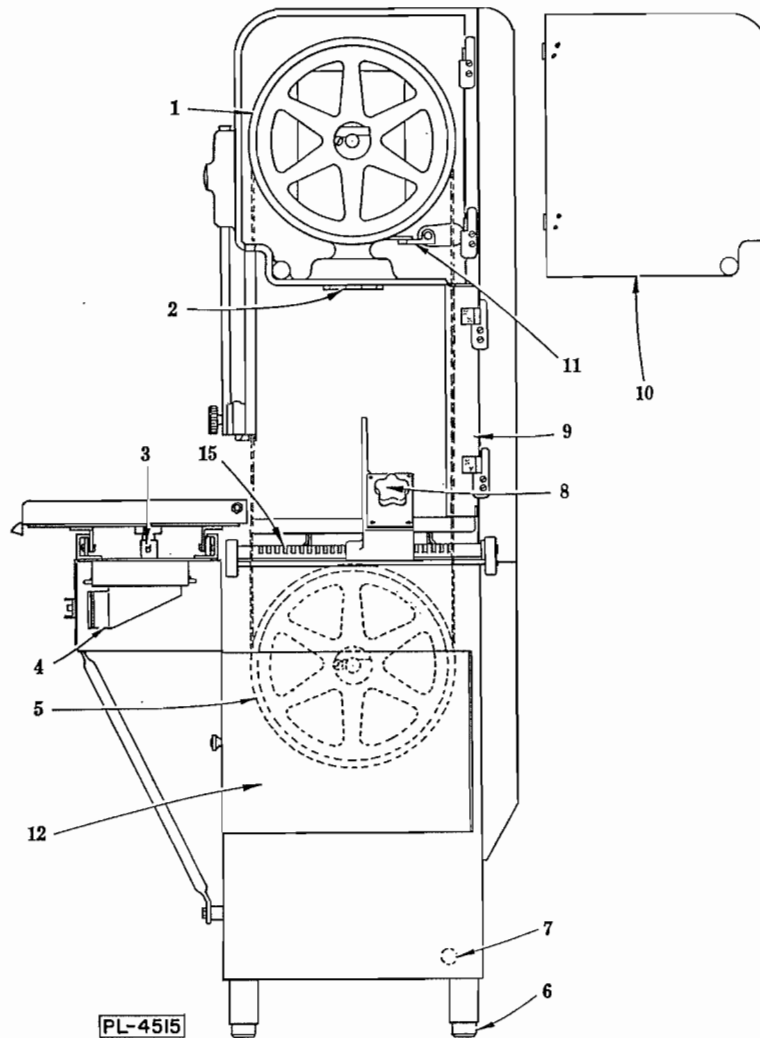


FIG. 1

## Installation, Operation and Care of MODEL 5114 MEAT SAW

### I. UNPACKING

Remove the shipping box that covers the saw. Next, unpack the following parts that were disassembled for shipping purposes; table assy., carriage assembly, base cover plate assy. (with front & rear tracks), front table rest, rear table rest, and feet. (Instructions for re-assembly of these parts are given in section II, "Setting Up"). Remove the four retaining bolts from the underside of the skid.

### II. SETTING UP

(1) Place the machine in the location where it is to be used. Re-assemble the feet (6, Fig. 1). Place a spirit level on top of the base unit and adjust the feet in the legs so that the base unit is level from side to side and front to back.

(2) Remove the motor access panel on the left side of the machine. Assemble the base cover plate assy. (with tracks) using the two taper pins as locators. Next, assemble the front and rear table rests, using the taper pins as locators.

(3) Lower the upper blade pulley (1, Fig. 1) by giving the tension adjustment hand wheel (2, Fig. 1) a few turns to the left. Open the head door (10, Fig. 1), then unlatch and open the blade cover assy. (9, Fig. 1). Lift the hand knob (8, Fig. 1) and raise the gage plate (1, Fig. 4) to its stopped position. Lift out the lower front wiper unit (Fig. 3) and lower the upper guide unit (Fig. 2) to its lowest position. Place the saw blade over the upper blade pulley (1, Fig. 1) and lower blade pulley (5, Fig. 1). The teeth must point to the right and downward when viewed from the front as shown in Fig. 3. If they do not point downward, remove the blade, twist inside out and replace it on the saw. Make sure the blade is properly centered in the rear blade wiper (8, Fig. 3) and properly placed in the upper guide unit (Fig. 2). Turn the tension adjustment hand wheel (2, Fig. 1) to the right until the figure 3 starts to show in the tension indicator (11, Fig. 4). Give the upper blade pulley a few turns by hand so that the blade centers itself on

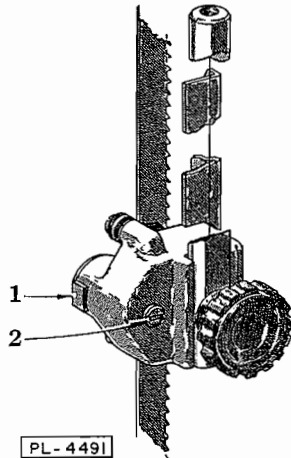


FIG. 2

the pulleys. Then turn the tension adjustment hand wheel slowly to the right until the indicator registers approximately "4" at eye level. This is the best operating tension for the blade.

**NOTE:** See Paragraph IX for adjustment of blade back-up blocks.

(4) Close the head door (10, Fig. 1) and column cover (9, Fig. 1).

(5) Before assembling the lower front wiper unit (Fig. 3), swing up the bakelite guard (1, Fig. 3) and see that the saw blade is between the two wipers (3, Fig. 3) and in the guide slot of steel block (5, Fig. 3). After sliding the unit into place, close down the bakelite guard (1, Fig. 3).

(6) With the gage plate (1, Fig. 4) in the raised position (clear of the table area), assemble the table (8, Fig. 4). The table is positioned by the locating slots (9, Fig. 3) in the table rest angles of the base. Make sure the reinforcing angles of the table are outside the table rest angles of the base. Lock the table in place by the spring catch (7, Fig. 4).

(7) The carriage may be assembled from either side. When rolling the carriage into place depress the carriage stop (3, Fig. 1). After this stop is released, the carriage will then be retained from rolling off.

### III. WIRING

Check the data on the name plate (6, Fig. 4) to make sure that it agrees with your electrical supply before connecting to the power line. Make your installation connection from the power line directly to the switch. To avoid having conduit at the front of the machine, it is recommended that flexible (or rigid) conduit be connected through the electrical inlet hole in the base (7, Fig. 1). The conduit connector on the end of the motor lead conduit should be assembled in the knock-out hole in the switch box. Next, connect the motor leads to the switch.

Be sure to use wire large enough to meet your local code requirements. For proper performance

use wire sizes of NOT LESS than #10 gage for 115 V., or #14 gage for 230 V. on single phase models. Use #14 gage for 208, 220, and 440 V. on three phase models. For long runs, between power inlet and saw, use a larger size.

### IV. SAFETY FEATURES

The Hobart saw is provided with safety devices to give maximum protection to the operator. Keep the guards in place at all times.

(1) **UPPER GUIDE ASSEMBLY** (Fig. 2): Keep as low as the size of the work permits.

(2) **DOORS:** Keep all doors closed while the machine is running.

(3) **BUTT-END PUSHER** (4, Fig. 4): Use the pusher plate as described in section VI and it will be unnecessary to hold your hand near the running saw blade.

(4) **GAGE PLATE:** The end of the gage plate (1, Fig. 4) is shaped to give maximum support and protection at this critical point, and at the same time, facilitate the taking off of slices.

### V. LUBRICATION

Very little lubrication is required, because all the high-speed shafts have either roller or ball bearings which are grease packed and will operate a long time without attention.

(1) Keep a small amount of grease in the six ball bearing rollers on the carriage.

(2) Apply a few drops of oil frequently to the gage plate rack (5, Fig. 4) and work the gage plate assembly back and forth a few times. (See cleaning instructions).

(3) For top operating efficiency have your local Hobart service man check this machine at least once a year.

### VI. OPERATION

Place the item to be cut on the carriage and turn on the motor switch. Stand in front of the machine, leaning lightly against the scalloped front of the carriage and move the carriage to the left, past the saw blade, at a steady and uniform rate. Your left hand will then be free to take away and stack the items as they are cut off. Make it a habit to move your hand around the left side, or back of the saw blade, when reaching for an item—**NEVER IN FRONT OF THE TEETH**. On the return stroke, pull the item toward you so that it clears the saw blade.

An optional carriage lock is available (when ordered) to lock the carriage in a fixed position. With this locked carriage, the same safety procedure of reaching to the left side or back of the saw blade when removing or stacking items should **ALWAYS** be observed.

When cutting slices of uniform thickness, set the gage plate at the desired point with adjusting



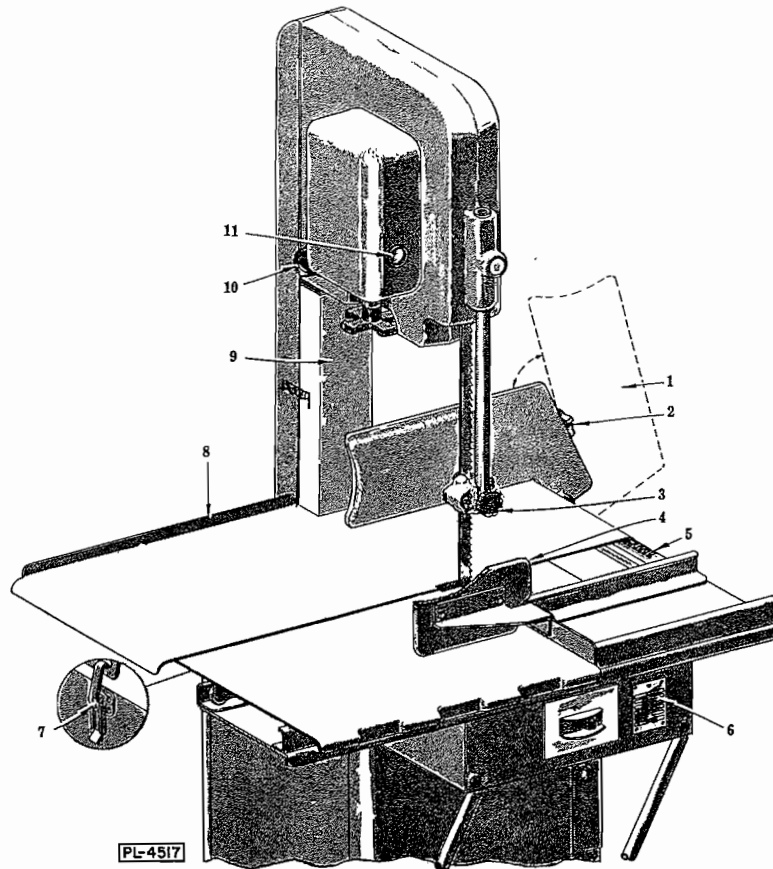


FIG. 4

**NOTE:** When replacing pulleys, make sure that pulley latches are properly seated in grooves of shaft. (Upper and lower blade pulleys are interchangeable). Also the blade and pulley wipers must be in proper operating positions.

### VIII. CHANGING SAW BLADES

This meat saw is so designed that the saw blade may be quickly and easily replaced. Use the following method for replacement:

- (1) Move the carriage to the left to the stop, then depress the stop and move the carriage a few more inches just beyond the bakelite guard.
- (2) Rotate gage plate to raised position.
- (3) Lower upper blade pulley by turning tension adjustment hand wheel to left.
- (4) Release table clamp (7, Fig. 4) and lift off the table (8, Fig. 4).
- (5) Open head door, unlatch and open blade cover assembly.
- (6) Swing up lower bakelite guard (1, Fig. 3) and remove blade.
- (7) Put on the new blade, turn the tension adjustment hand wheel to the right until the edge of the "3" first appears in window (11,

Fig. 4). Turn the upper blade pulley (1, Fig. 1) by hand to center the blade. Then turn the tension adjustment hand wheel until the indicator (11, Fig. 4) registers "4" at eye level. Close lower bakelite guard (1, Fig. 3). Make sure that front and rear lower blade wipers are on both sides of the blade.

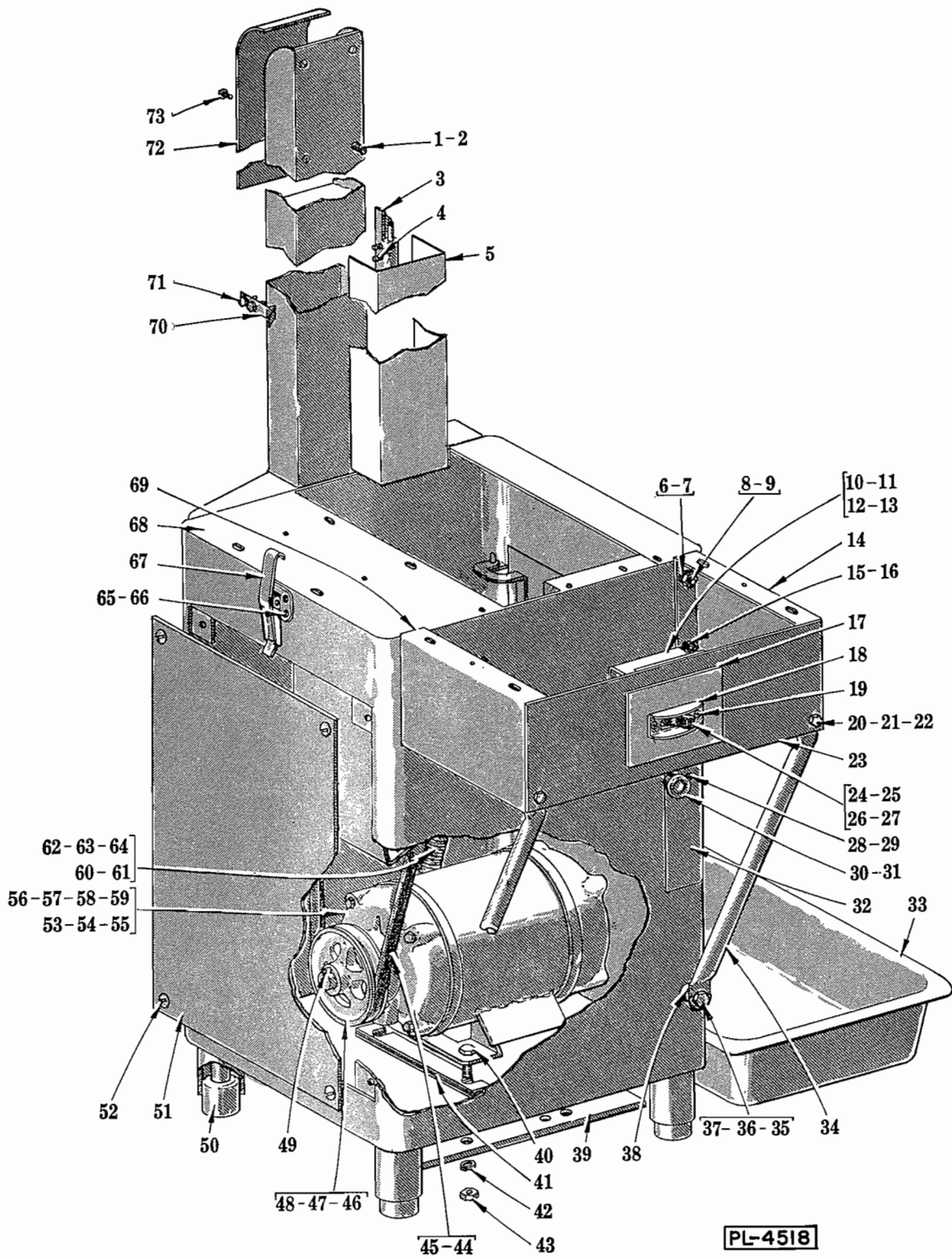
### IX. ADJUSTMENT OF BLADE BACK-UP BLOCK

At the back edge of the saw blade in the upper guide (1, Fig. 2) and the front lower wiper unit (4, Fig. 3) are special tungsten carbide blade back-up blocks (eliminating the old fashioned ball bearing back-up). These special blocks take the cutting thrust. The clearance between these blocks and the blade, with the saw running without load, should be approximately  $1/32''$ . Always check this dimension after changing blades. These back-up blocks should be adjusted to suit any variation in blade widths.

**NOTE:** Adjust the upper back-up block (1, Fig. 2) by turning screw (2, Fig. 2) and lower back-up block (4, Fig. 3) by turning the screw (2, Fig. 3).

### X. BLADE REPLACEMENT

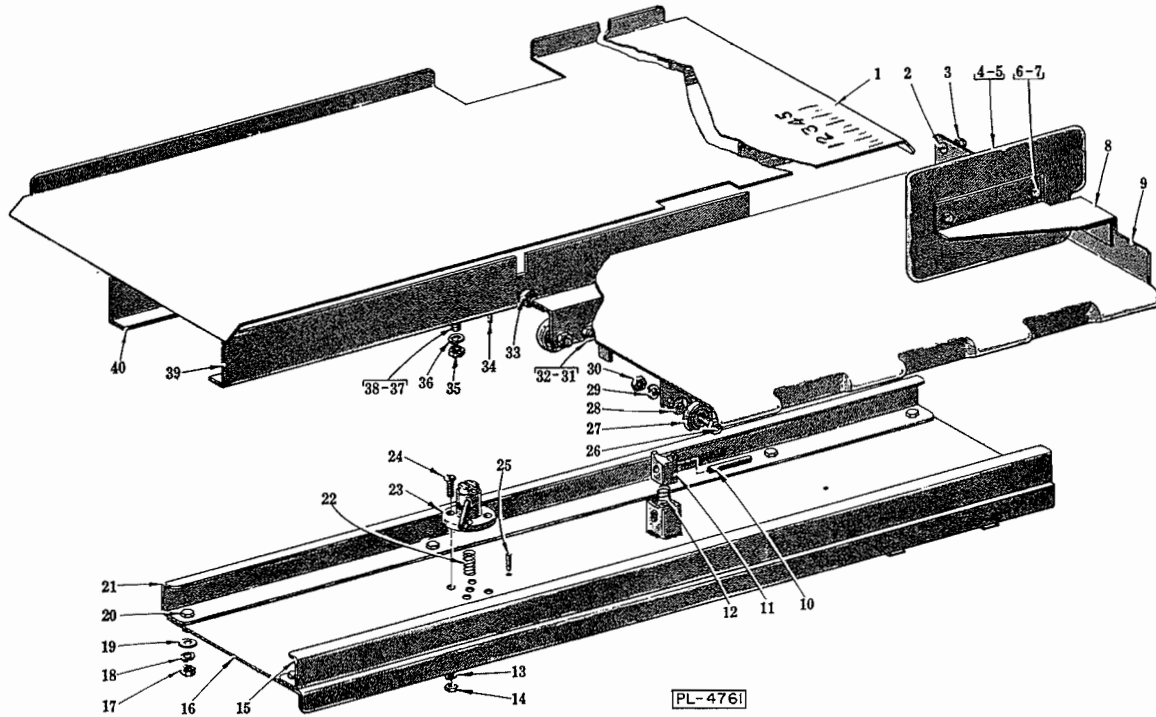
Two saw blades are furnished as regular equipment with every machine. Replacement blades are available thru all Hobart offices.



MAIN FRAME AND BASE UNIT

## MAIN FRAME AND BASE UNIT

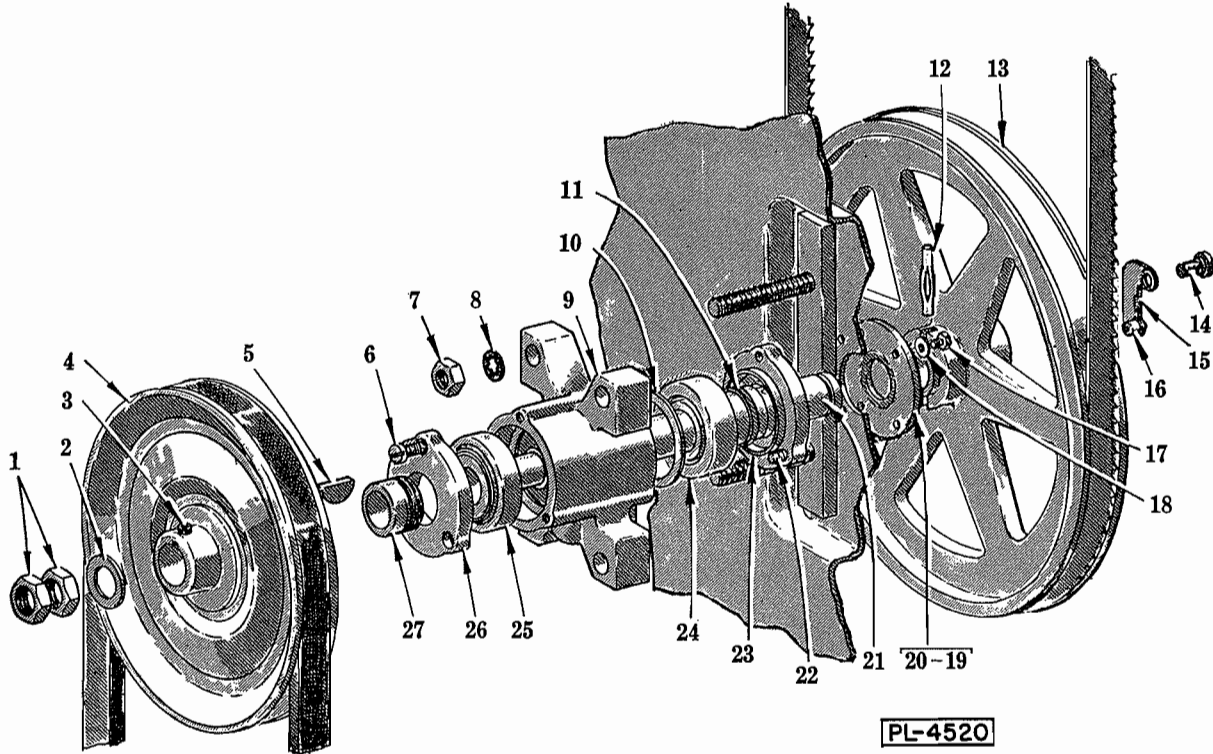
ILLUS. PL-4518	PART NO.	NAME OF PART	AMT.
1	SC-36-50	Fin. Bolt - 3/8"-16 x 1/2" Hex Hd. -----	8
2	WL-4-2	Lock Washer - 3/8" x .136" x .070" -----	8
3	M-75735	Hinge Bracket & Pin Assy. -----	2
4	SC-20-15	Mach. Screw - #10-24 x 7/8" Phil. Flat Hd. -----	4
5	R-75915	Blade Cover Assy. -----	1
6	WL-4-4	Lock Washer - 3/8" x .136" x .070" -----	2
7	WS-18-8	Washer -----	2
8	SC-62-43	Fin. Bolt - 3/8"-16 x 3/4" Hex Hd. -----	2
9	NS-13-25	Full Nut - 3/8"-16 Hex Fin. -----	2
10	P-67300	Switch Box Assy. -----	1
11	SC-9-28	Mach. Screw - #10-24 x 3/8" Rd. Hd. -----	2
12	WL-3-20	Lock Washer - #10 x .055" x .040" -----	2
13	NS-9-24	Mach. Nut - #10-24 Hex -----	2
14	S-75914	Gusset - Track Support -----	1
15	M-75779	Screw - Gusset Dowel -----	2
16	NS-31-32	Stop Nut - 3/8"-16 "Elastic" -----	2
17	P-71380	Plate - Switch Cover -----	1
18	M-14506-3	Shield - Switch -----	1
19	SC-9-44	Mach. Screw - #6-32 x 1/2" Rd. Hd. -----	2
20	SC-62-43	Fin. Bolt - 3/8"-16 x 3/4" Hex Hd. -----	2
21	WL-4-4	Lock Washer - 3/8" x .136" x .070" -----	2
22	NS-13-25	Full Nut - 3/8"-16 Hex Fin. -----	2
23	R-71886	Front Assy. -----	1
24	R-24940-2	Switch (2 & 3 Phase, Below 250 V.) -----	1
25	R-24940-4	Switch (1 Phase, Below 250 V.) -----	1
26	SS-3-26	Switch (2 & 3 Phase, Above 250 V.) -----	1
27	M-74835	Screw - Switch Mounting -----	2
28	SC-8-9	Mach. Screw - #10-24 x 3/8" Rd. Hd. -----	2
29	NS-9-22	Mach. Nut - #10-24 Hex -----	1
30	M-23274	Knob - Door -----	1
31	M-68176	Clip - Base Door Spring -----	1
32	R-67259-2	Base Door Assy. -----	1
33	R-67327	Pan - Scrap -----	1
34	S-74894	Brace - Base Plate Support -----	2
35	SC-62-42	Fin. Bolt - 3/8"-16 x 1" Hex Hd. -----	2
36	WL-4-4	Lock Washer - 3/8" x .136" x .070" -----	2
37	NS-13-25	Full Nut - 3/8"-16 Hex Fin. -----	2
38	M-74888	Washer - Shim -----	2
39	P-67593	Reinforcement - Base -----	2
40	SC-36-71	Fin. Bolt - 3/8"-16 x 1-1/4" Hex Hd. -----	4
41	M-67305	Booster - Motor -----	As Req'd.
42	WL-4-2	Lock Washer - 3/8" x .136" x .070" -----	4
43	NS-13-25	Full Nut - 3/8"-16 Hex Fin. -----	4
44	BV-4-14	"V" Belt (60 Cy.) -----	1
45	BV-4-16	"V" Belt (50 Cy.) -----	1
46	R-67309-1	"V" Pulley - Motor (4.8" O.D.) (60 Cy.) (Incls. item #48) -----	1
47	R-67309-3	"V" Pulley - Motor (6.2" O.D.) (50 Cy.) (Incls. item #48) -----	1
48	SC-47-32	Set Screw - 5/16"-18 x 5/16" Soc. Hdls. Cup Pt. -----	1
49	R-12430-62	Key -----	1
50	M-71335-2	Foot & Stud Assy. -----	4
51	S-67264-2	Panel - Motor Access -----	1
52	SC-10-33	Mach. Screw - #10-24 x 1/2" Truss Hd. -----	4
53	S-71466-1	Motor - 1 Phase, 115/230 V., 60 Cy. -----	1
54	S-71466-2	Motor - 1 Phase, 208 V., 60 Cy. -----	1
55	S-71466-3	Motor - 1 Phase, 120/240 V., 50 Cy. -----	1
56	S-71467-2	Motor - 3 Phase, 550 V., 60 Cy. -----	1
57	S-71467-3	Motor - 3 Phase, 220/380 V., 50 Cy. -----	1
58	S-71467-4	Motor - 3 Phase, 208 V., 60 Cy. -----	1
59	S-71467-5	Motor - 3 Phase, 220/440 V., 60 Cy. -----	1
60	FE-2-17	Connector - 90° (1/2" Male Thd. x 1/2" Flex Cnd.) -----	2
61	FE-6-38	Reducer (3/4" to 1/2" Female Cnd.) -----	1
62	FE-6-6	Lock Nut - 3/4" Cnd. -----	1
63	P-24127-89	Conduit - 1/2" x 32" Flex. -----	1
64	BF-2-19	Bushing - 1/2" Anti-Short -----	2
65	SC-10-16	Mach. Screw - #10-24 x 1/2" Truss Hd. -----	4
66	NS-31-12	Stop Nut - #10-24 "Elastic" -----	4
67	P-71437	Clamp - Table -----	1
68	T-75928	Base Assy. -----	1
69	S-75914	Gusset - Track Support -----	1
70	M-75789	Clip - Blade Cover Spring -----	1
71	SC-68-12	Mach. Screw - #10-32 x 5/16" Trimmed Hex Hd. -----	2
72	S-71847	Cover - Column Top -----	1
73	SC-10-33	Mach. Screw - #10-24 x 1/2" Truss Hd. -----	3
	M-78530	Base, Door & Motor Access Panel Sub-Assy. (Incls. items #32, 51 & 68) -----	1



TABLE, CARRIAGE AND TRACK UNIT

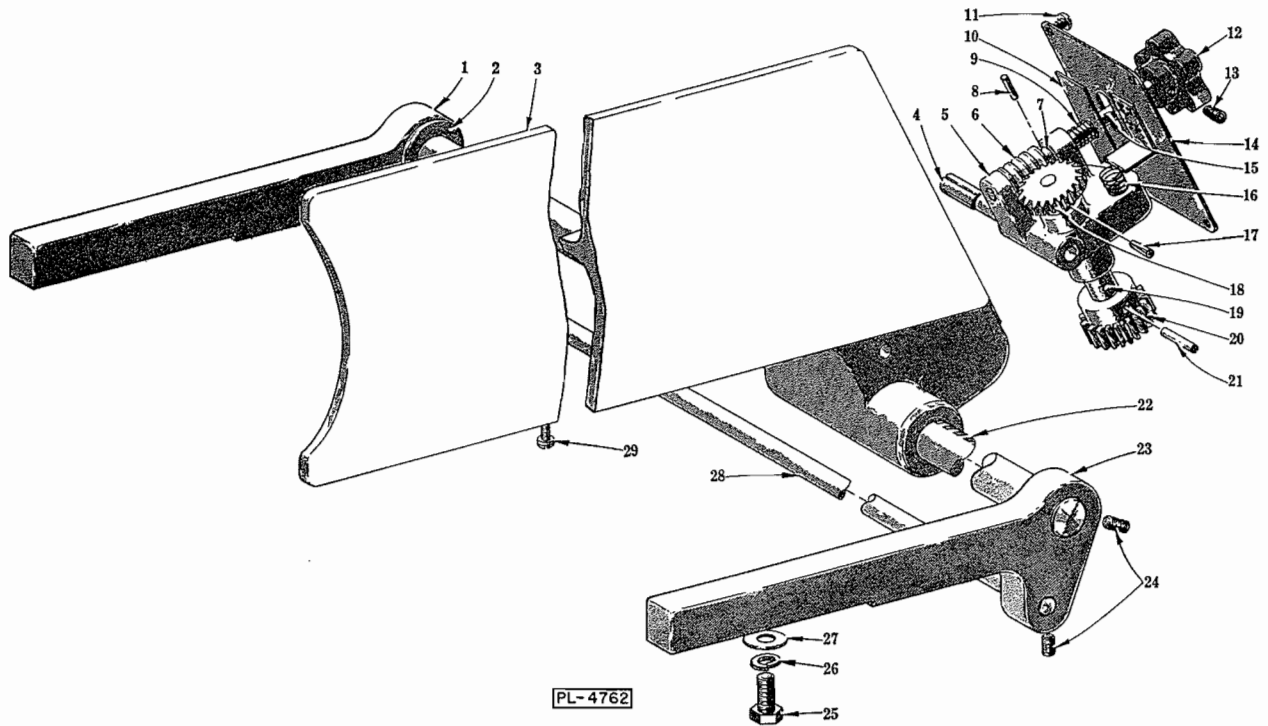
ILLUS. NO.	PART NO.	NAME OF PART	AMT.
1	S-74558	Table Assy. -----	1
2	SC-10-48	Mach. Screw - #10-24 x 1/4" Truss Hd. -----	1
3	NS-27-2	Acorn Nut - #10-24 -----	1
4	R-71429	Plate - Pusher -----	1
5	R-72061	Pusher Plate Assy. (Incls. items #4, 6, 7 & 8) -----	1
6	SC-15-34	Mach. Screw - #10-24 x 1/2" Oval Hd. -----	2
7	NS-24-15	Acorn Nut - #10-24 -----	2
8	P-71975	Pusher Plate Bracket Assy. -----	1
9	R-74544	Carriage Sub-Assy. -----	1
10	RP-3-5	Rollpin - 1/4" dia. x 2" Lg. -----	1
11	M-72576	Stop - Carriage -----	1
12	M-67317	Spring - Carriage Stop -----	1
13	WL-6-6	Lock Washer - #10 x .055" x .040" -----	4
14	NS-11-18	Mach. Nut - #10-24 Hex -----	4
15	R-74548	Track - Front -----	1
16	S-74554	Base Cover Plate Assy. -----	1
17	NS-13-14	Full Nut - 5/16"-18 Hex Fin. -----	8
18	WL-3-47	Lock Washer - 5/16" x .125" x .078" -----	8
19	WS-17-16	Washer -----	8
20	SC-62-44	Fin. Bolt - 5/16"-18 x 3/4" Hex Hd. -----	8
21	R-74547	Track - Back -----	1
22	V-7433-2	Spring - Detent -----	1
23	P-74590	Carriage Lock Sub-Assy. -----	1
24	SC-53-3	Mach. Screw - #10-24 x 3/4" Truss Hd. -----	4
25	PT-3-59	Taper Pin - #4 x 3/4" Lg. -----	2
26	SC-37-73	Fin. Bolt - 3/8"-16 x 1" Hex Hd. -----	6
27	BB-8-2	Ball Bearing - Nice #400-24 -----	6
28	WS-18-5	Washer -----	6
29	WL-4-4	Lock Washer - 3/8" x .136" x .070" -----	6
30	NS-13-25	Full Nut - 3/8"-16 Hex Fin. -----	6
31	NS-17-8	Jam Nut - 5/16"-18 Hex Fin. -----	4
32	WL-3-44	Lock Washer - 5/16" x .125" x .078" -----	2
33	M-67245	Thrust Plug & Holder Carriage Assy. -----	2
34	PT-3-59	Taper Pin - #4 x 3/4" Lg. -----	4
35	NS-13-14	Full Nut - 5/16"-18 Hex Fin. -----	4
36	WL-3-47	Lock Washer - 5/16" x .125" x .078" -----	4
37	SC-62-47	Fin. Bolt - 5/16"-18 x 1" Hex Hd. -----	4
38	WS-17-16	Washer -----	4
39	R-71812	Rest - Front Table -----	1
40	R-75297	Rest - Rear Table -----	1
	M-74629	Carriage Assy. Unit (Incls. items #2, 3, 9, 26, 27, 28, 29, 30, 31, 32 & 33) -----	1
	M-77773	Carriage Lock & Spring Sub-Assy. (Incls. items #13, 14, 22, 23 & 24) -----	1





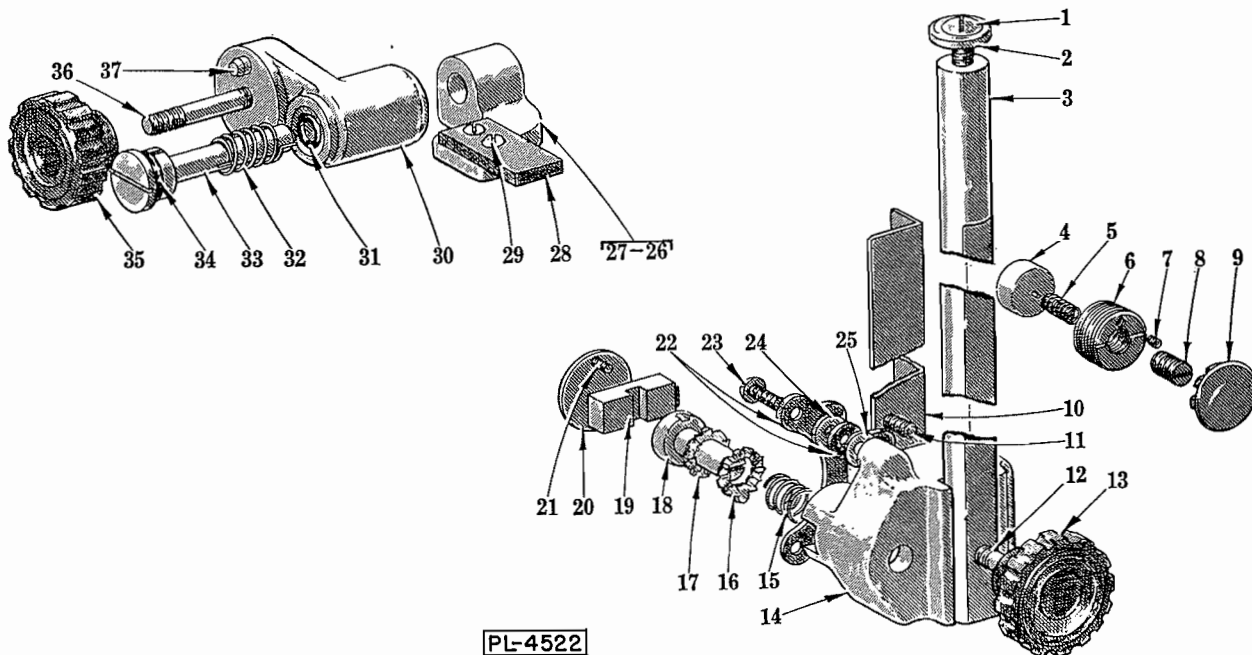
**LOWER BEARING CARRIER UNIT**

ILLUS. NO.	PART NO.	NAME OF PART	AMT.
1	NS-17-49	Jam Nut - 3/4"-16 Hex Fin. -----	2
2	WS-11-24	Washer -----	1
3	SC-46-51	Set Screw - 5/16"-18 x 5/16" Cup Pt. -----	1
4	R-71903	"V" Pulley - Bearing Carrier (10" O.D.) (Incls. item #3) -----	1
5	KW-3-15	Key - #807 Woodruff -----	1
6	SC-12-69	Mach. Screw - 1/4"-20 x 1/2" Fil. Hd. -----	3
7	NS-13-30	Full Nut - 1/2"-13 Hex Fin. -----	8
8	WL-8-31	Lock Washer - 1/2" Int. Shakeproof -----	8
9	R-67207	Carrier - Lower Bearing -----	1
10	RR-6-1	Retaining Ring -----	2
11	M-67307	Quad Ring -----	1
12	M-77813-2	Groov-Pin - Special -----	1
13	R-72363	Flanged Pulley (Blade) Sub-Assy. Unit (Incls. items #14, 15 & 16) --	1
14	M-20851	Screw - Latch -----	1
15	M-20852	Latch -----	1
16	M-24114	Catch - Friction (#8-1/2 Frost) -----	1
17	SC-68-12	Mach. Screw - #10-32 x 5/16" Trimmed Hex Hd. -----	4
18	WS-2-51	Washer -----	4
19	M-77555	Washer & Seal Sub-Assy. (Incls. item #20) -----	1
20	M-77553	Seal - Diaphragm -----	1
21	P-67242	Shaft - Lower Bearing Carrier -----	1
22	SC-12-69	Mach. Screw - 1/4"-20 x 1/2" Fil. Hd. -----	3
23	M-67870	Bearing Cap & Quad Ring Sub-Assy. (Incls. item #11) -----	1
24	BR-2-16	Roller Bearing -----	1
25	BR-2-16	Roller Bearing -----	1
26	P-67203	Cap - Bearing Carrier ("V" Belt Side) -----	1
27	M-67243	Conveyor - Lower Bearing Carrier Grease -----	1
	R-67871	Lower Bearing Carrier Sub-Assy. (Incls. items #6, 9, 10, 21, 22, 23, 24, 25 & 26) -----	1



GAGE PLATE UNIT

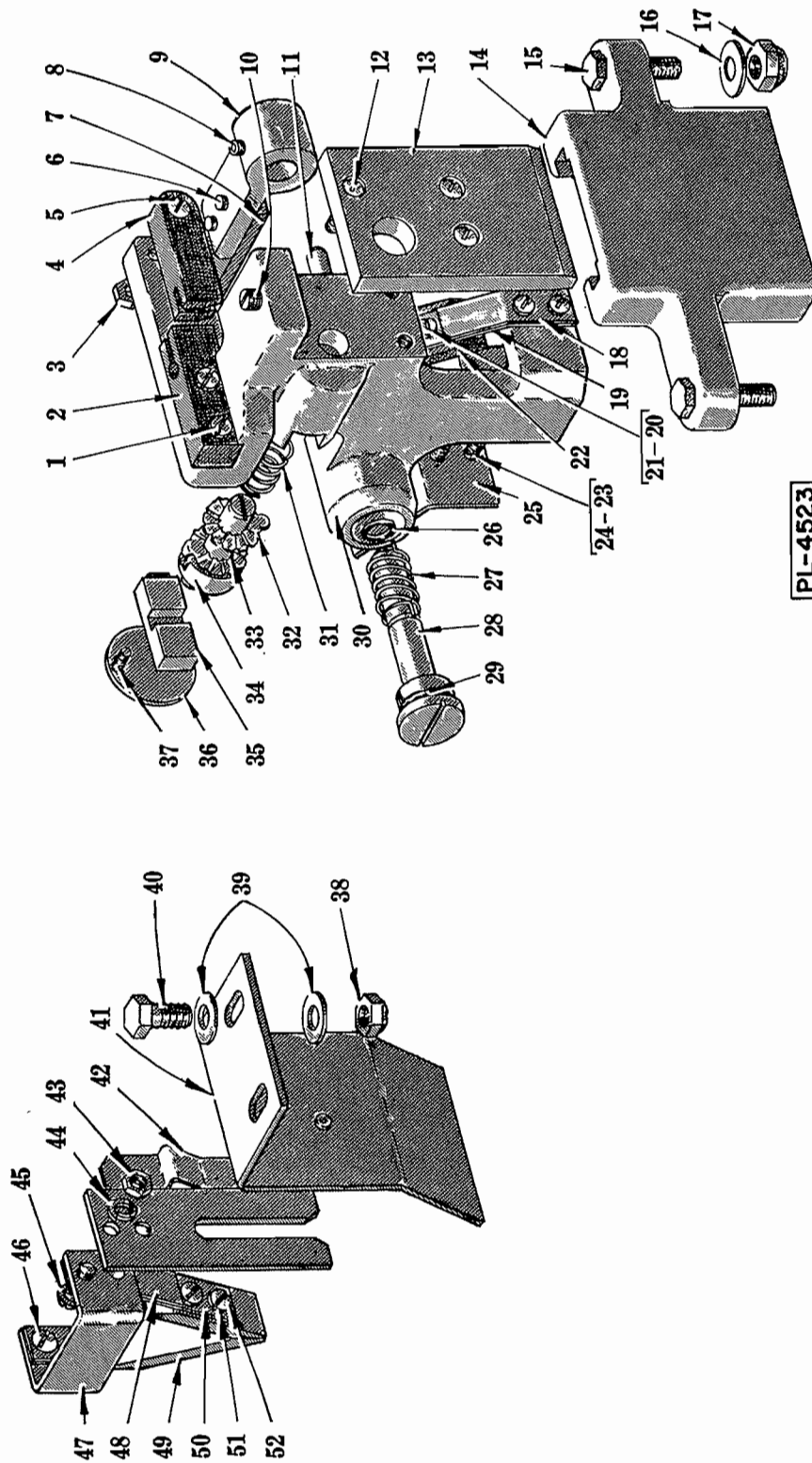
ILLUS. PL-4762	PART NO.	NAME OF PART	AMT.
1	R-75921	Bracket - Gage Plate Support	1
2	V-23736	Washer - Bumper	1
3	S-74748-2	Gage Plate & Bushing Sub-Assy.	1
4	M-74524	Pin - Drive	1
5	P-74444	Bracket - Gear	1
6	M-20887	Worm	1
7	WS-4-18	Washer	As Req'd.
8	PG-7-9	Groov-Pin - Type #5, 1/8" x 5/8"	1
9	V-7433-2	Spring - Detent	1
10	M-74540	Washer - Worm Shaft	1
11	SC-60-21	Mach. Screw - #10-24 x 1/4" Rd. Hd.	4
12	M-75823	Knob - Gage Plate Adjusting	1
13	SC-75-6	Set Screw - #10-32 x 1/4" Soc. Hdls. Cup Pt.	1
14	P-74441	Cover & Angle Sub-Assy.	1
15	M-74467	Shaft - Worm	1
16	M-77309	Spring - Gage Plate	1
17	PG-3-13	Groov-Pin - Type #1, 1/8" x 5/8"	1
18	M-20885	Gear - Worm	1
19	M-74442	Shaft - Gear	1
20	M-20879	Gear - Rack	1
21	RP-2-10	Rollpin - 3/16" dia. x 1" Lg.	1
22	P-74465-2	Rack - Gage Plate	1
23	R-75921	Bracket - Gage Plate Support	1
24	SC-47-37	Set Screw - 5/16"-18 x 3/8" Soc. Hdls. Kn. Cup Pt.	4
25	SC-62-43	Fin. Bolt - 3/8"-16 x 3/4" Hex Hd.	4
26	WL-4-4	Lock Washer - 3/8" x .136" x .070"	4
27	WS-18-8	Washer	4
28	P-74443-2	Rod - Gage Plate Stop	1
29	M-67314	Mach. Screw - Gage Plate (Nylon)	1
	P-74613	Worm & Gear Sub-Assy. (Incls. item #5, 6, 7, 8, 9, 10, 15, 17, 18, 19, 20 & 21)	1
	S-74522-2	Gage Plate Assy. (Incls. items #3, 4, 5, 6, 7, 8, 9, 10, 11, 12, 13, 14, 15, 16, 17, 18, 19, 20, 21 & 29)	1



PL-4522

UPPER GUIDE AND PULLEY WIPER UNIT

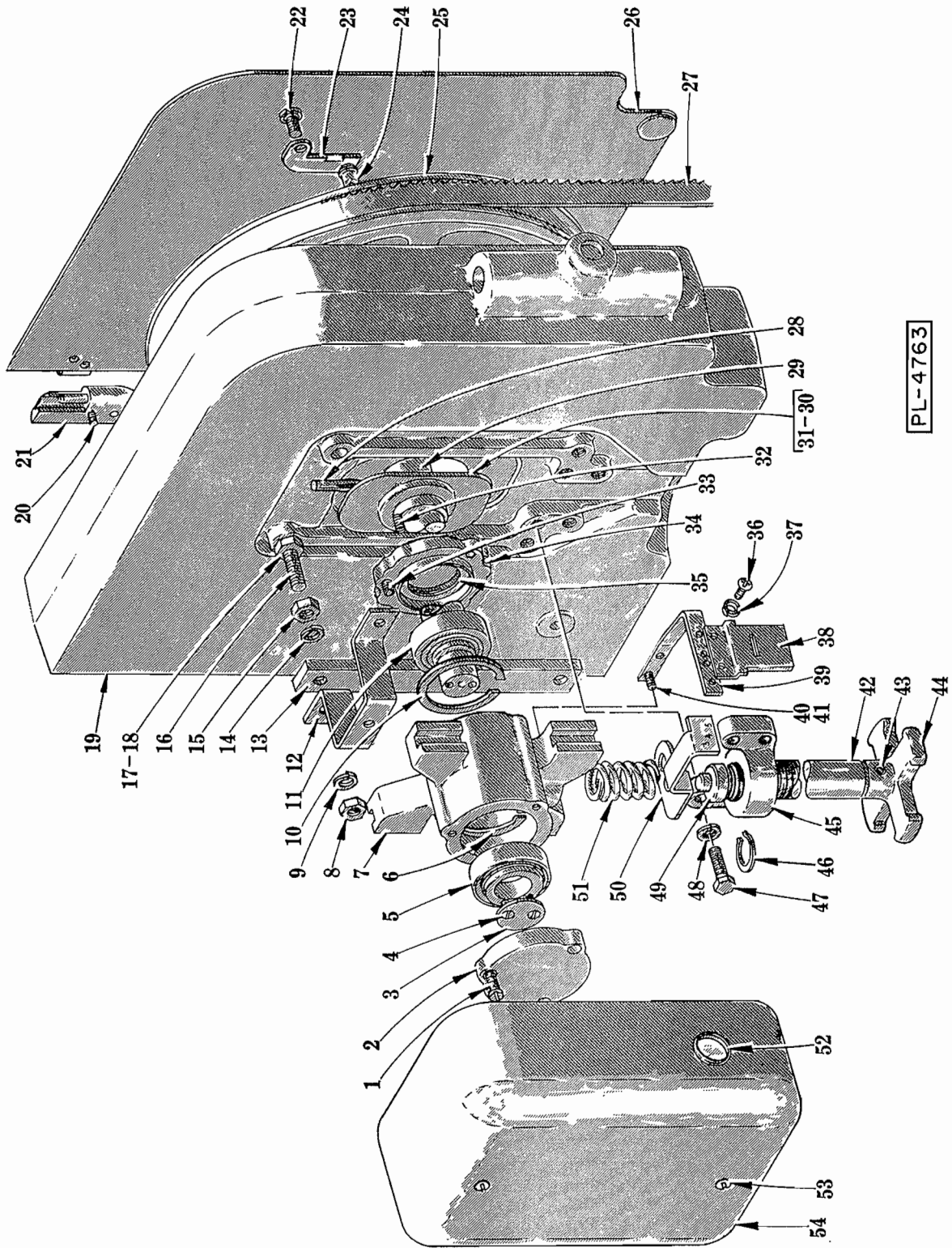
ILLUS. NO.	PART NO.	NAME OF PART	AMT.
1	SC-53-16	Mach. Screw - 5/16"-18 x 5/8" Truss Hd.	1
2	M-69849	Stop - Slide Rod	1
3	P-75869	Rod - Upper Blade Guide Slide	1
4	M-75865	Shoe - Slide Rod	1
5	M-75866	Spring - Slide Rod Adjusting	1
6	M-75864	Screw - Slide Rod Adjusting	1
7	SC-47-74	Set Screw - #8-32 x 1/4" Soc. Hdl. Cup Pt.	1
8	SC-63-33	Set Screw - 3/8"-16 x 3/8" Flat Pt.	1
9	PB-2-26	Plug Button	1
10	P-71397-1	Guard - Upper Guide Blade	1
11	SC-10-33	Mach. Screw - #10-24 x 1/2" Truss Hd.	2
12	V-21158	Stud - Upper Guide Support	1
13	M-67315	Knob	1
14	R-71361	Support - Upper Guide	1
15	V-23326	Spring - Adj. Blade Guide	1
16	M-23275	Lock Washer - Adj. Blade (Stat.)	1
17	M-23328	Lock Washer - Adj. Blade (Rot.)	1
18	M-71382	Shaft - Back-Up Block	1
19	M-71373	Block - Blade Back-Up	1
20	M-71377	Retainer - Blade Back-Up Block	1
21	SC-7-24	Mach. Screw - #6-32 x 3/8" Rd. Hd.	2
22	M-67182	Guide - Blade	2
23	SC-10-36	Mach. Screw - #10-24 x 5/8" Truss Hd.	2
24	M-67233	Spacer - Blade Guide	2
25	M-71449	Shim - Upper Guide Support	As Req'd.
26	P-71359	Bracket - Upper Scraper	1
27	SC-75-5	Set Screw - #10-24 x 1/4" Soc. Hdl. Kn. Cup Pt.	1
28	M-71368	Wiper - Blade Pulley	1
29	SC-10-33	Mach. Screw - #10-24 x 1/2" Truss Hd.	2
30	P-75025	Bracket - Upper Pulley Wiper	1
31	R-67500-2	"O" Ring	1
32	M-71364	Spring - Blade Pulley Wiper	1
33	P-71376	Shaft	1
34	R-67500-7	"O" Ring	1
35	M-67315	Knob	1
36	V-21158	Stud - Upper Wiper Support	1
37	M-67306	Pin - Table Rest	1
	P-71398-1	Upper Guide Unit Assy. (Incls. items #10, 11, 12, 14, 15, 16, 17, 18, 19, 20, 21, 22, 23, 24 & 25)	1
	P-75031-1	Upper Pulley Wiper Assy. (Incls. items #26 to 37 inclusive)	1



LOWER WIPERS AND GUIDE UNIT

## LOWER WIPERS AND GUIDE UNIT

ILLUS. PL-4523	PART NO.	NAME OF PART	AMT.
1	SC-12-81	Mach. Screw - #10-24 x 1" Fil. Hd. -----	2
2	M-71369	Guide - Saw Blade -----	1
3	NS-9-23	Mach. Nut - #10-24 Hex -----	1
4	M-71363	Guard - Saw Blade -----	1
5	SC-60-72	Mach. Screw - #10-24 x 1-1/4" Rd. Hd. -----	1
6	SC-10-33	Mach. Screw - #10-24 x 1/2" Truss Hd. -----	2
7	M-71368	Wiper - Blade Pulley -----	1
8	SC-75-5	Set Screw - #10-24 x 1/4" Soc. Hdls. Kn. Cup Pt. -----	1
9	P-71358	Bracket - Scraper Pivot -----	1
10	SC-63-21	Set Screw - #10-24 x 5/16" Flat Pt. -----	2
11	P-11800-244	Dowel -----	1
12	SC-12-69	Mach. Screw - 1/4"-20 x 1/2" Fil. Hd. -----	3
13	P-71372	Slide - Lower Wiper Bracket -----	1
14	R-71725	Slideway - Wiper Bracket -----	1
15	SC-36-40	Fin. Bolt - 5/16"-18 x 1-1/4" Hex Hd. -----	2
16	WS-17-16	Washer -----	2
17	NS-31-27	Stop Nut - 5/16"-18 "Elastic" -----	2
18	M-74612	Spring - Back-Up -----	2
19	M-67185	Spring - Blade Scraper -----	2
20	SC-21-85	Mach. Screw - #8-32 x 3/16" Rd. Hd. -----	4
21	WL-6-1	Lock Washer - #8 x .047" x .031" -----	4
22	M-67184	Scraper - Blade -----	2
23	SC-21-14	Mach. Screw - #8-32 x 3/8" Rd. Hd. -----	4
24	WL-6-1	Lock Washer - #8 x .047" x .031" -----	4
25	M-72443	Shield - Lower Pulley -----	1
26	R-67500-2	"O" Ring -----	1
27	M-71364	Spring - Blade Pulley Wiper -----	1
28	P-71376	Shaft - Lower Wiper Bracket -----	1
29	R-67500-7	"O" Ring -----	1
30	S-71360	Bracket - Lower Wiper -----	1
31	V-23326	Spring - Adjusting Blade Guide -----	1
32	M-23275	Lock Washer - Adj. Blade (Stat.) -----	1
33	M-23328	Lock Washer - Adj. Blade (Rot.) -----	1
34	M-71382	Shaft - Back-Up Block -----	1
35	M-71373	Block - Blade Back-Up -----	1
36	M-71377	Retainer - Blade Back-Up Block -----	1
37	SC-7-24	Mach. Screw - #6-32 x 3/8" Rd. Hd. -----	2
38	NS-31-19	Stop Nut - 1/4"-20 "Elastic" -----	2
39	WS-3-45	Washer -----	4
40	SC-41-1	Fin. Bolt - 1/4"-20 x 3/4" Hex Hd. -----	2
41	M-75304	Rear Wiper Brkt. & Slide Stud Sub-Assy. -----	1
42	M-75307	Stop Spring & Rear Wiper Slide Sub-Assy. -----	1
43	NS-11-12	Mach. Nut - #8-32 Hex -----	4
44	WL-6-1	Lock Washer - #8 x .047" x .031" -----	4
45	SC-21-92	Mach. Screw - #8-32 x 7/16" Rd. Hd. -----	2
46	SC-21-91	Mach. Screw - #8-32 x 5/16" Rd. Hd. -----	2
47	M-75310	Support - Rear Wiper Scraper -----	1
48	M-74612	Spring - Back-Up -----	2
49	M-67184	Scraper - Blade -----	2
50	M-67185	Spring - Scraper Blade -----	2
51	WL-6-1	Lock Washer - #8 x .047" x .031" -----	4
52	SC-21-85	Mach. Screw - #8-32 x 3/16" Rd. Hd. -----	4
	S-71378	Lower Wiper & Guide Unit Assy. (Incls. items #1 to 13 inclusive & 18 to 37 inclusive) -----	1
	P-75303	Rear Wiper Sub-Assy. (Incls. items #41 to 52 inclusive) -----	1



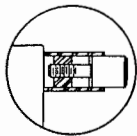
PL-4763

HEAD UNIT

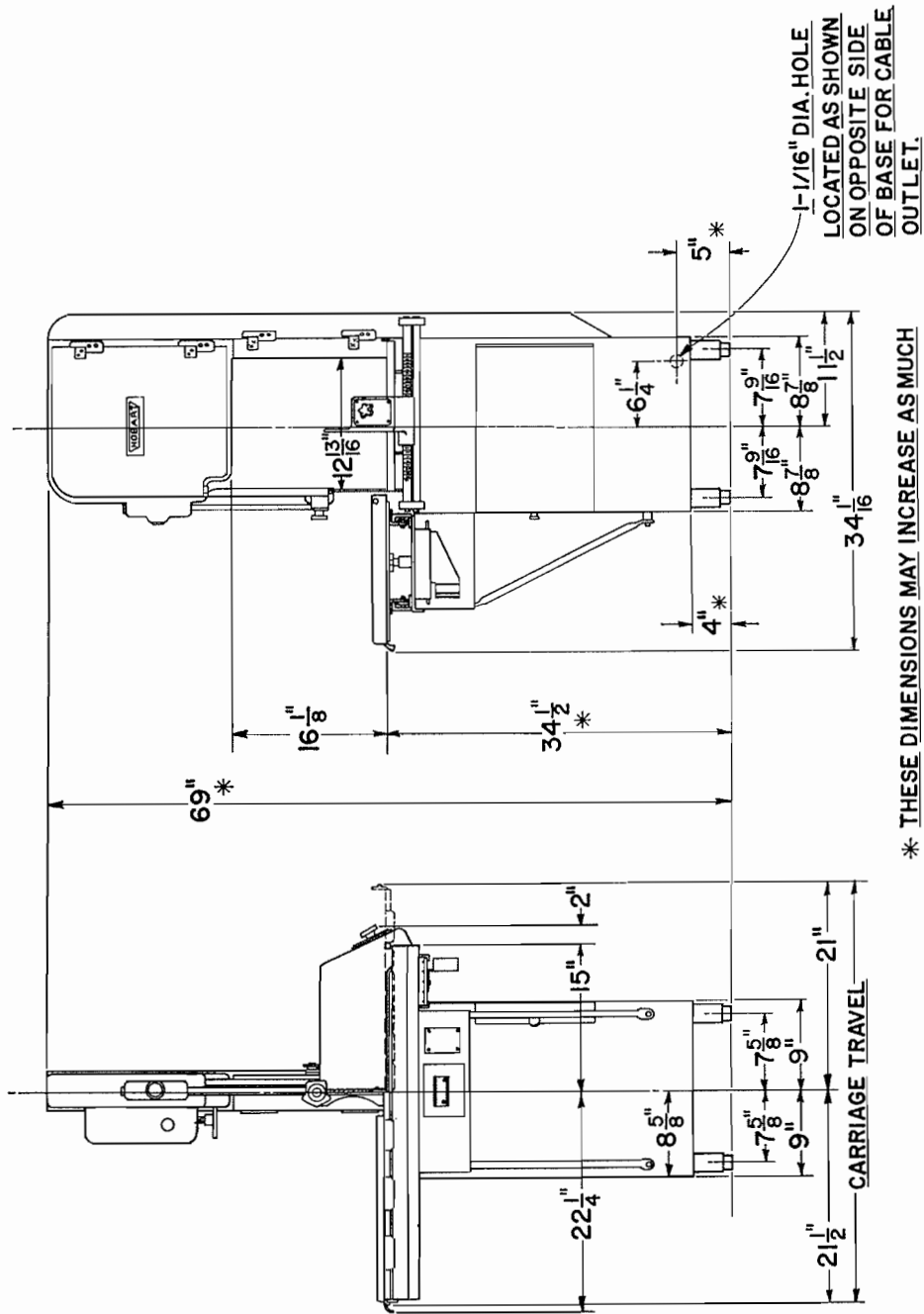
## HEAD UNIT

ILLUS. PL-4763	PART NO.	NAME OF PART	AMT.
1	SC-12-69	Mach. Screw - 1/4"-20 x 1/2" Fil. Hd. -----	3
2	P-67210	Cap - Bearing -----	1
3	M-67241	Retainer - Bearing -----	1
4	SC-13-46	Mach. Screw - #10-24 x 1/2" Flat Hd. -----	2
5	BR-2-16	Roller Bearing -----	1
6	RR-6-1	Retaining Ring -----	1
7	R-67205	Carrier - Upper Bearing -----	1
8	NS-13-22	Full Nut - 3/8"-16 Hex Fin. -----	4
9	WL-4-2	Lock Washer - 3/8" x .136" x .070" -----	4
10	RR-6-1	Retaining Ring -----	1
11	BR-2-16	Roller Bearing -----	1
12	P-67147	Cover Brkt. & Weld Nut Assy. -----	2
13	P-67187	Gib - Upper Brg. Carrier -----	2
14	WL-4-2	Lock Washer - 3/8" x .136" x .070" -----	4
15	NS-13-22	Full Nut - 3/8"-16 Hex Fin. -----	4
16	M-75894	Stud - Upper Bearing Carrier Support -----	4
17	WL-4-2	Lock Washer - 3/8" x .136" x .070" -----	4
18	NS-13-22	Full Nut - 3/8"-16 Hex Fin. -----	4
19	P-75872-2	Head & Magnetic Catch Sub-Assy. -----	1
20	SC-20-15	Mach. Screw - #10-24 x 7/8" Phil. Flat Hd. -----	4
21	M-75735	Hinge Bracket & Pin Assy. -----	2
22	M-20851	Screw - Latch -----	1
23	M-20852	Latch -----	1
24	M-24114	Catch - Friction (#8-1/2 Frost) -----	1
25	R-72363	Flanged Pulley (Blade) Sub-Assy. Unit (Incls. items #22, 23 & 24)	1
26	S-75917	Door Assy. (Head) -----	1
27	P-65300	Blade - Meat Saw (112" Lg.) -----	1
28	M-77813-2	Groov-Pin - Special -----	1
29	P-67244	Shaft - Upper Brg. Carrier -----	1
30	M-78404	Brg. Carrier Shield & Quad Ring Sub-Assy. (Incls. item #31) -----	1
31	M-67307	Ring - Quad -----	1
32	M-75837	Spring - Detent -----	2
33	SC-12-69	Mach. Screw - 1/4"-20 x 1/2" Fil. Hd. -----	3
34	M-75924	Bearing Cap & Quad Ring Sub-Assy. (Incls. item #35) -----	1
35	M-67307	Ring - Quad -----	1
36	SC-7-71	Mach. Screw - #10-24 x 1/4" Rd. Hd. -----	2
37	WL-3-22	Lock Washer - #10 x .055" x .040" -----	2
38	P-67249	Plate - Blade Tension Sight -----	1
39	P-75817	Bracket - Tension Indicator -----	1
40	SC-7-74	Mach. Screw - #10-24 x 3/8" Rd. Hd. -----	2
41	WL-3-22	Lock Washer - #10 x .055" x .040" -----	2
42	P-71751	Screw - Blade Tension Adjusting -----	1
43	RP-2-17	Rollpin - 1/4" dia. x 1" Lg. -----	1
44	P-67190	Wheel - Hand -----	1
45	P-75897	Nut - Blade Tension Adjusting -----	1
46	RR-4-8	Retaining Ring -----	1
47	SC-36-28	Fin. Bolt - 5/16"-18 x 1-1/4" Hex Hd. -----	4
48	WL-3-44	Lock Washer - 5/16" x .125" x .078" -----	4
49	BB-13-1	Thrust Bearing - Nice #603 -----	1
50	P-75816	Indicator - Tension -----	1
51	M-20867	Spring - Adj. Blade Tension -----	1
52	M-75656	Window Unit -----	1
53	SC-10-36	Mach. Screw - #10-24 x 5/8" Truss Hd. -----	2
54	R-75883	Cover & Window Sub-Assy. (Incls. item #52) -----	1
	R-75925	Upper Bearing Carrier Assy. (Incls. items #1, 2, 3, 4, 5, 6, 7, 10, 11, 29, 33 & 34) -----	1

MACHINE IS PARTIALLY DISASSEMBLED FOR SHIPMENT. CRATED MACHINE WILL PASS THRU A 31" OPENING.



ENLARGED VIEW OF LEG SHOWING ADJUSTING FOOT



\* THESE DIMENSIONS MAY INCREASE AS MUCH AS 1/2" DEPENDING ON LEG ADJUSTMENT.

PL-4525

R-75947

INSTALLATION DIAGRAM