



The Choice of Experience

CATALOG OF
REPLACEMENT PARTS



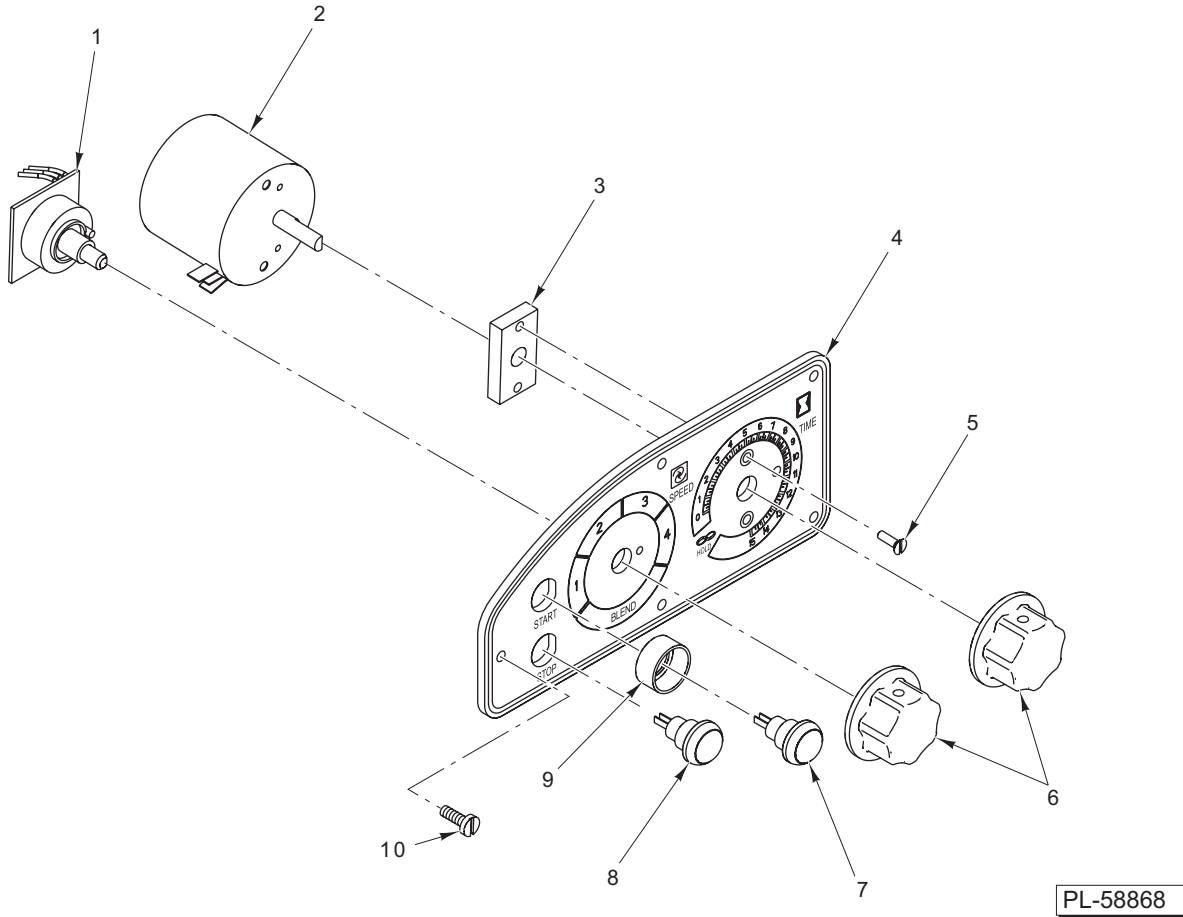
FMS10 QUART MIXER

ML-134327

EFFECTIVE SEPTEMBER 2008

Table of Contents

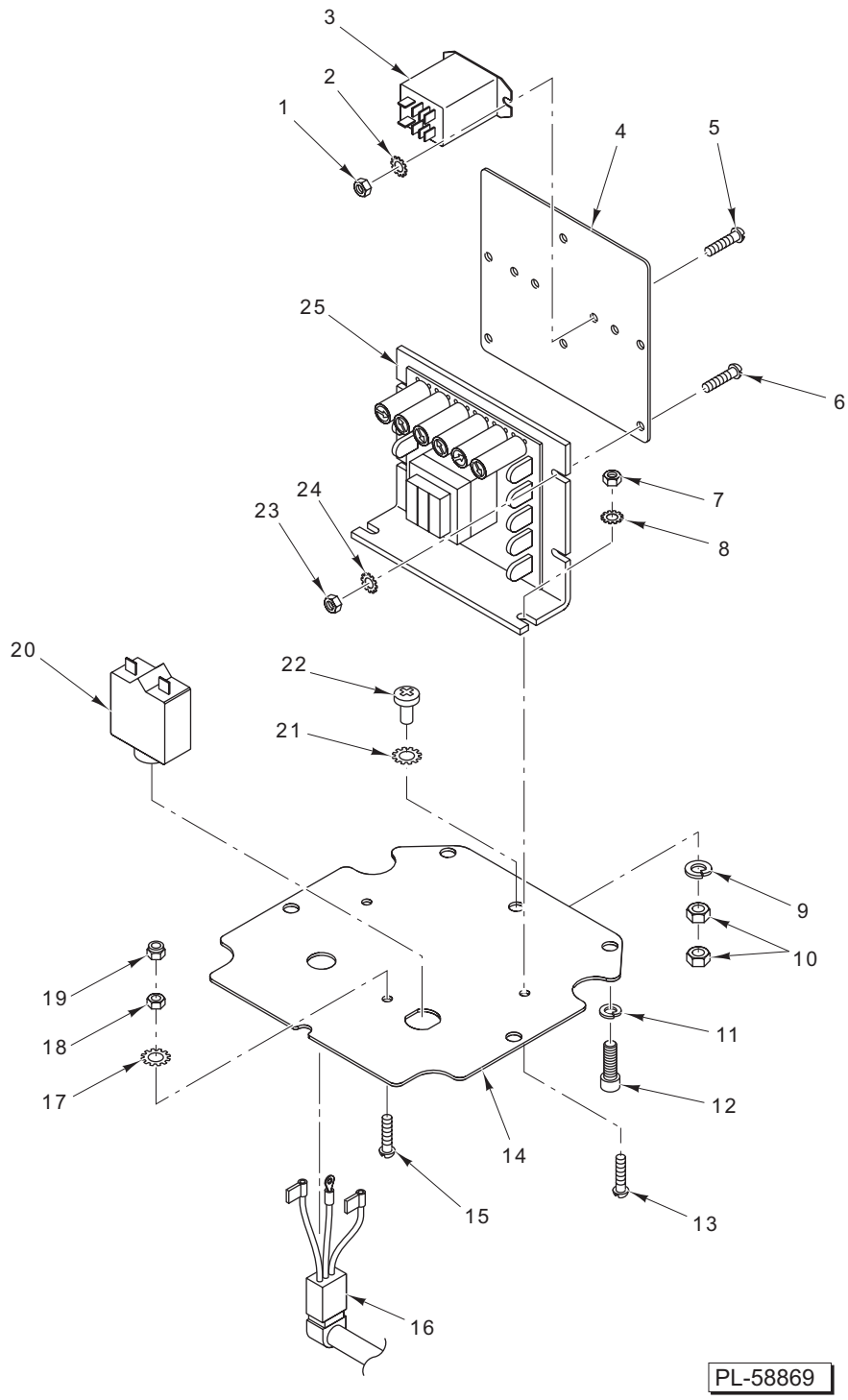
3	CONTROL PANEL
5	ELECTRICAL COMPONENTS
7	BASE AND PEDESTAL
9	BOWL SUPPORT
11	TRANSMISSION CASE AND MOTOR
13	TRANSMISSION
15	BOWL AND BOWL GUARD
16	AGITATORS AND ACCESSORIES



PL-58868

CONTROL PANEL

ILLUS.	PART NO.	NAME OF PART	AMT.
PL-58868			
1	00-916901	PCB Assy. – Speed Select.....	1
2	00-916988-00001	Timer Assy. (90-130 V., 60 Hz.)	1
3	00-916938	Spacer – Timer	1
4	00-916886	Panel – Operator (Red)	1
5	SC-022-72	Mach. Screw 5-40 x 7/16 Slotted Flat Hd.....	2
6	00-917141	Knob – Control	2
7	00-917447	Switch – Start.....	1
8	00-917448	Switch Assy. – Stop.....	1
9	00-916958	Guard – Switch	1
10	SC-019-34	Mach. Screw 8-32 x 1/2 Slotted Bndg. Hd.....	5

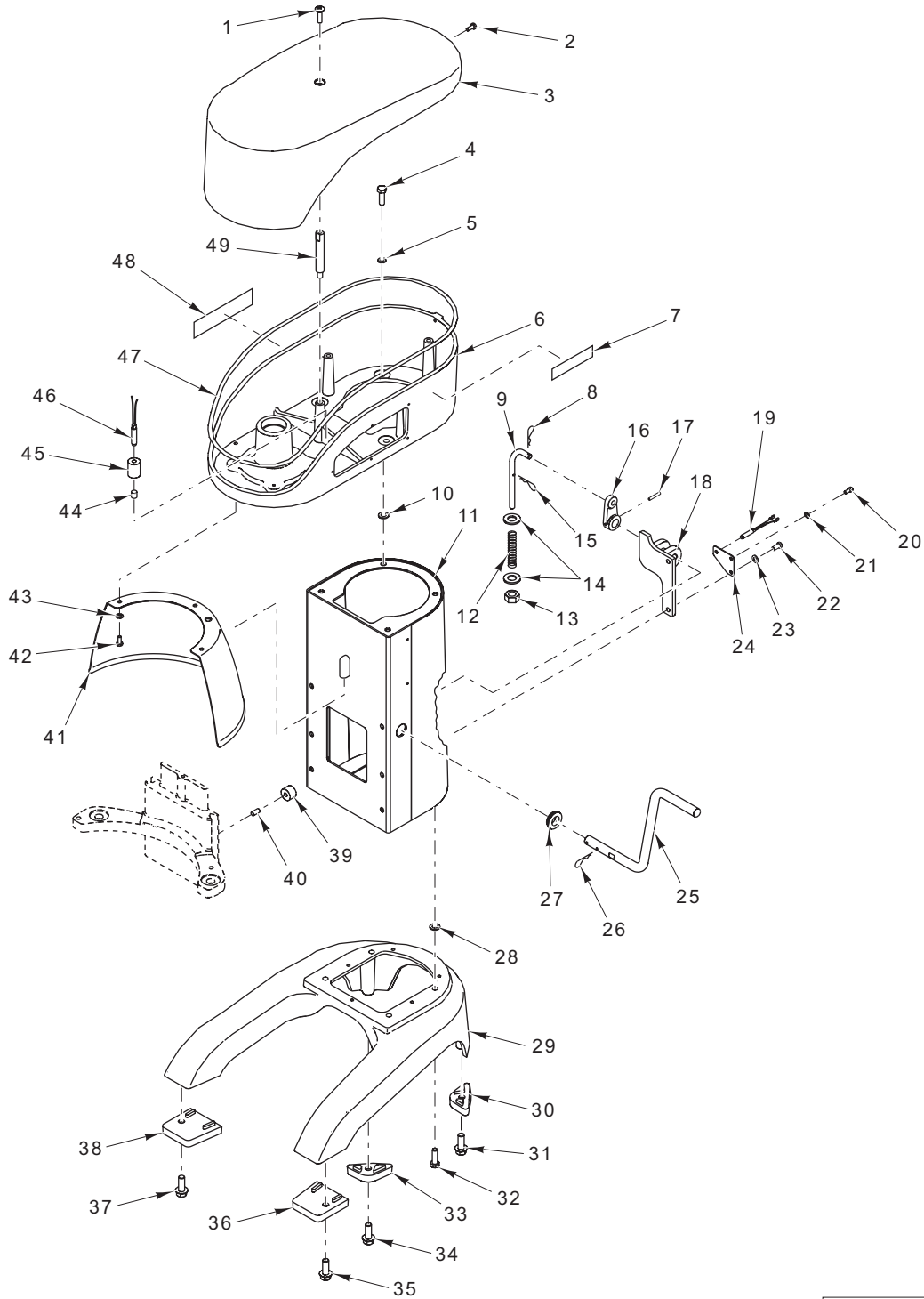


PL-58869

ELECTRICAL COMPONENTS

ELECTRICAL COMPONENTS

ILLUS. PL-58869	PART NO.	NAME OF PART	AMT.
1	NS-009-12	Nut 8-32 Hex.....	2
2	WL-007-07	Lockwasher #8 External	2
3	00-087714-00063	Relay (D.P.D.T.) (90 V.).....	1
4	00-917319	Plate – Relay	1
5	SC-021-15	Mach. Screw 8-32 x 1/2 Slotted Rd. Hd.	2
6	SC-021-15	Mach. Screw 8-32 x 1/2 Slotted Rd. Hd.	2
7	NS-009-12	Nut 8-32 Hex.....	2
8	WL-007-07	Lockwasher #8 External	2
9	WL-019-96	Lockwasher M5 Helical.....	1
10	NS-047-49	Nut M5 x 38mm	2
11	WL-003-37	Lockwasher 1/4 Helical.....	5
12	SC-089-01	Cap Screw 1/4 -20 x 1/2 Hex Socket Hd.....	5
13	SC-021-15	Mach. Screw 8-32 x 1/2 Slotted Rd. Hd.	2
14	00-916895	Plate – Relay Mounting.....	1
15	SC-009-68	Mach. Screw 8-32 x 3/4 Slotted Rd. Hd.	1
16	00-916928	Cord & Plug Strain Relief (120 V.)	1
17	WL-007-07	Lockwasher #8 External	1
18	NS-009-12	Nut 8-32 Hex.....	1
19	NS-047-15	Lock Nut 8-32	1
20	00-916930	Switch – Reset (10 Amp.)	1
21	WL-019-69	Lockwasher M5 External	1
22	SC-128-15	Mach. Screw M5 x 0.8 x 12mm Phil. Pan Hd.	1
23	NS-009-12	Nut 8-32 Hex.....	2
24	WL-007-07	Lockwasher #8 External	2
25	00-478191-00001	Control –Speed (90 V.)	1
	00-916935	Harness – Main Wiring (120 V.).....	1
	00-916972-002-1	Tubing – Convolute Slit.....	1

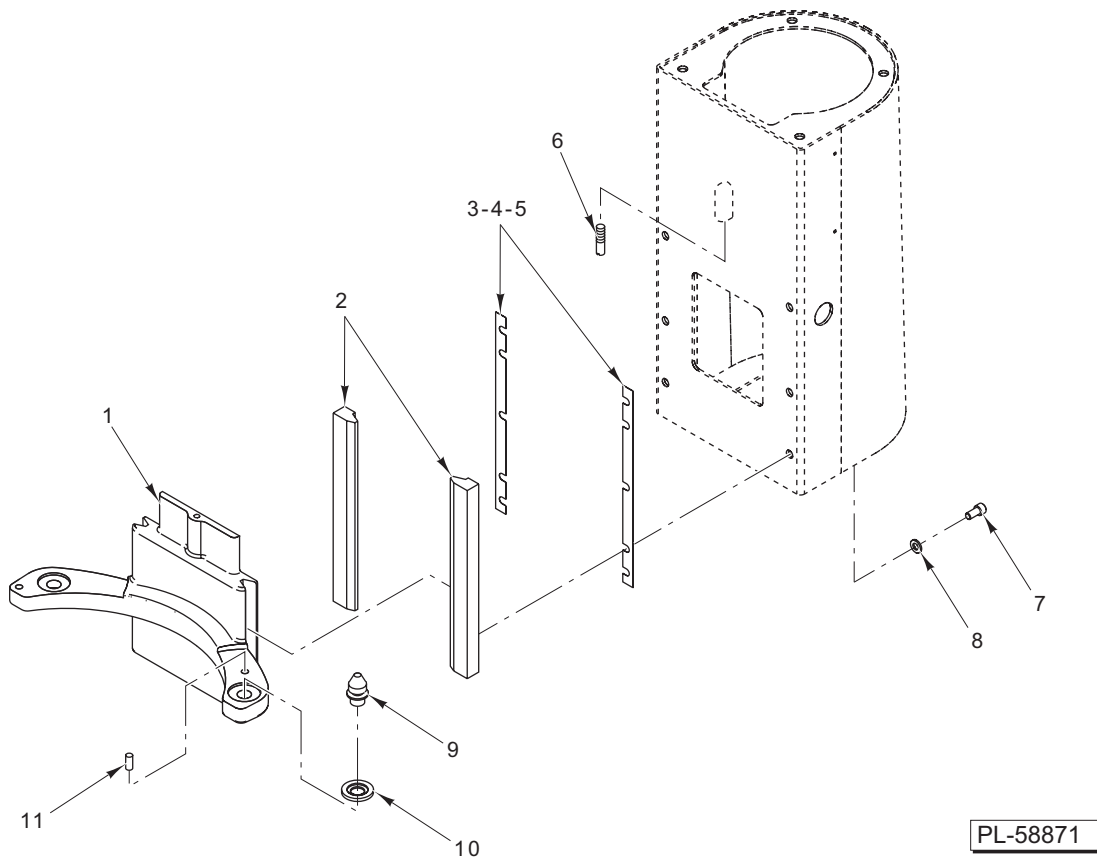


PL-58870

BASE AND PEDESTAL

BASE AND PEDESTAL

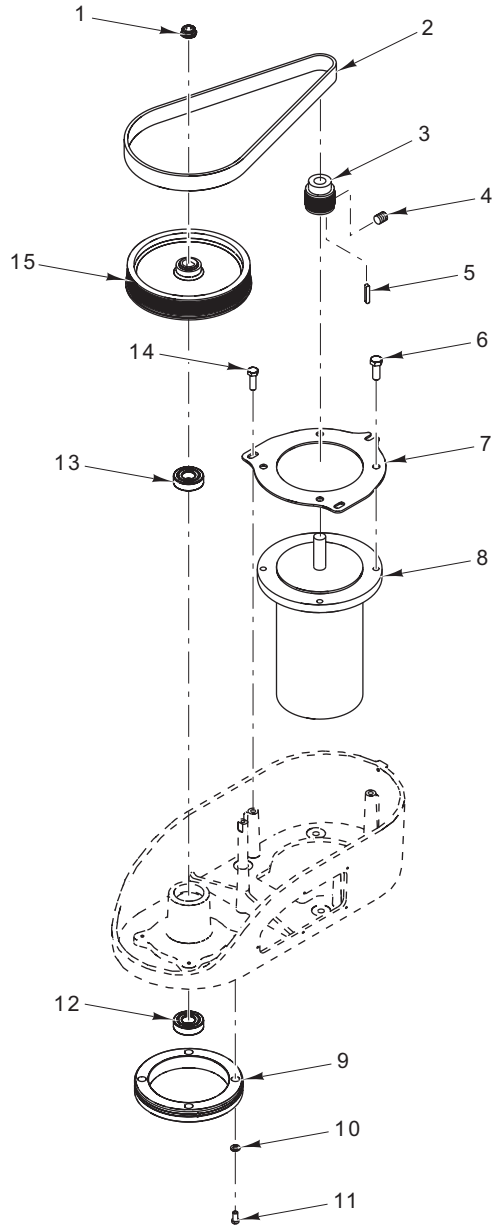
ILLUS. PL-58870	PART NO.	NAME OF PART	AMT.
1	SC-120-29	Mach. Screw 1/4-20 x 1 Phil. Oval Hd.....	1
2	SC-007-77	Mach. Screw 10-24 x 1/2 Slotted Rd. Hd.....	1
3	00-916775	Top – Cover	1
4	SC-100-12	Cap Screw 5/16-18 x 3/4 Hex Washer Hd.....	4
5	WS-004-20	Washer.....	4
6	00-916797	Transmission.....	1
7	00-916993	Logo – Berkel.....	1
8	PC-005-11	Pin – Cotter (SST)	1
9	00-478111	Rod – Bowl Lift.....	1
10	WS-004-20	Washer.....	4
11	00-916828	Pedestal – Weldment.....	1
12	00-012782	Spring	1
13	NS-048-09	Lock Nut 5/16-24	1
14	WS-018-24	Washer.....	2
15	PC-003-55	Pin – Cotter	1
16	00-478110-00002	Arm – Bowl Lift.....	1
17	RP-003-46	Pin – Roll	1
18	00-916926	Bearing – Bowl Lift.....	1
19	00-916902-00003	Switch – Reed.....	1
20	SC-089-01	Cap Screw 1/4-20 x 1/2 Hex Socket Hd.....	1
21	WL-003-37	Lockwasher 1/4 Helical	1
22	SC-040-10	Cap Screw 1/4-20 x 3/4 Hex Socket Hd.....	2
23	WL-003-37	Lockwasher 1/4 Helical.....	2
24	00-917178	Holder – Reed Switch.....	1
25	00-916927	Handle – Lift.....	1
26	PC-003-55	Pin – Cotter	1
27	00-916876	Grommet.....	1
28	WS-004-20	Washer.....	4
29	00-916628	Base.....	1
30	00-916785	Pad – Rear (RH).....	1
31	SC-123-95	Cap Screw 3/8-16 x 1 Hex Washer Hd.....	1
32	SC-100-12	Mach. Screw 5/16-18 x 3/4 Hex Washer Hd.....	4
33	00-916787	Pad – Rear (LH).....	1
34	SC-123-95	Cap Screw 3/8-16 x 1 Hex Washer Hd.....	1
35	SC-123-95	Cap Screw 3/8-16 x 1 Hex Washer Hd.....	1
36	00-916786	Pad – Front (RH)	1
37	SC-123-95	Cap Screw 3/8-16 x 1 Hex Washer Hd.....	1
38	00-916784	Pad – Front (LH).....	1
39	00-917186	Holder – Magnet	1
40	00-917185	Magnet.....	1
41	00-917038	Guard – Rear	1
42	SC-018-20	Mach. Screw 10-24 x 1/2 Slotted Pan Hd.....	3
43	WS-023-03	Washer (SST)	3
44	00-916965	Pin.....	1
45	00-917184	Holder – Reed Switch.....	1
46	00-916902-00003	Switch – Reed.....	1
47	00-874925-00006	Seal – Neopreme.....	1
48	00-916992	Logo – Berkel.....	1
49	00-916823	Spacer	1



BOWL SUPPORT

BOWL SUPPORT

ILLUS.	PART NO.	NAME OF PART	AMT.
PL-58871			
1	00-916825	Support – Bowl	1
2	00-916924	Slideway	2
3	00-916940-00001	Shim – Slideway (0.003 Thk.).....	AR
4	00-916940-00002	Shim – Slideway (0.005 Thk.).....	AR
5	00-916940-00003	Shim – Slideway (0.010 Thk.).....	AR
6	00-917249	Screw – Adjustment Bowl Up.....	1
7	SC-089-01	Cap Screw 1/4-20 x 1/2 Hex Hd.....	4
8	WL-003-37	Lockwasher 1/4 Helical.....	4
9	00-917182	Pin – Bowl Mounting	2
10	00-917180	Bushing – Bowl Support	2
11	PG-006-11	Pin – Grooved (SST)	2

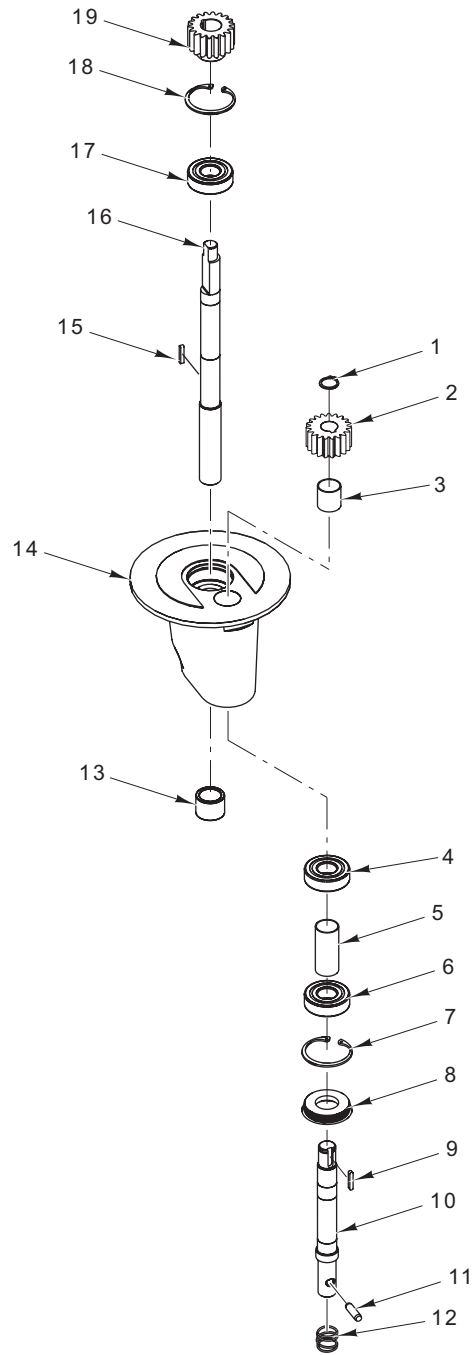


PL-58872

TRANSMISSION CASE AND MOTOR

TRANSMISSION CASE AND MOTOR

ILLUS.	PART NO.	NAME OF PART	AMT.
PL-58872			
1	NS-032-29	Lock Nut 1/2 x 20.....	1
2	00-478146	Belt – Poly V	1
3	00-916966	Sheave.....	1
4	SC-103-06	Set Screw 10-24 x 1/4 Hex Hdls., Cup Pt.....	2
5	00-917496-00001	Key.....	1
6	SC-100-12	Mach. Screw 5/16-18 x 3/4 Hex Washer Hd.	4
7	00-916866	Plate – Motor Mounting.....	1
8	00-916867-00001	Motor (90 V.)	1
9	00-917120	Gear – Ring	1
10	WL-007-12	Lockwasher #10 External	4
11	SC-059-15	Cap Screw 10-24 x 1 Hex Socket Hd. (SST).....	4
12	BB-020-18	Bearing – Ball	1
13	BB-020-18	Bearing – Ball	1
14	SC-100-12	Mach. Screw 5/16-18 x 3/4 Hex Washer Hd.	3
15	00-478106	Sheave – Poly V (10 Groove).....	1

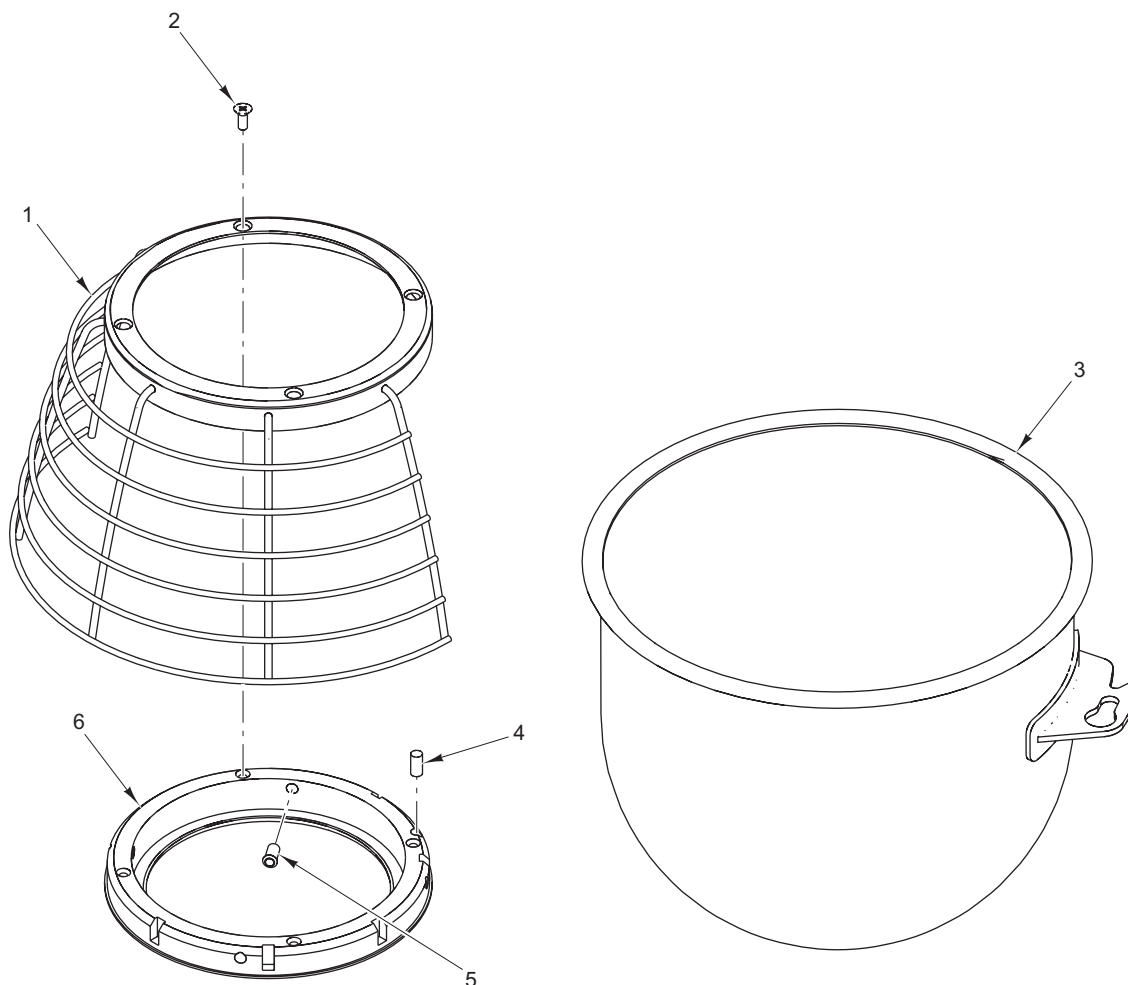


PL-58873

TRANSMISSION

TRANSMISSION

ILLUS.	PART NO.	NAME OF PART	AMT.
PL-58873			
1	RR-012-02	Ring – Retaining	1
2	00-478117	Gear – Planetary.....	1
3	00-478097	Spacer – Small	1
4	BB-020-18	Bearing – Ball	1
5	00-478102	Spacer – Large	1
6	BB-020-18	Bearing – Ball	1
7	RR-010-08	Ring – Retaining	1
8	00-478231	Plug – Planetary	1
9	00-012430-00046	Key.....	1
10	00-478100	Shaft – Agitator	1
11	00-478806	Pin – Dowel.....	1
12	00-004538	Spring – Agitator Shaft.....	1
13	BN-002-01	Bearing – Needle	1
14	00-916795	Planetary.....	1
15	00-012430-00048	Key.....	1
16	00-916820	Shaft – Planetary	1
17	BB-020-18	Bearing – Ball	1
18	RR-010-08	Ring – Retaining	1
19	00-478118	Gear – Sun	1
	00-479023	Shaft – Agitator Assy. (Incls. Items 4, 5, & 12).....	1

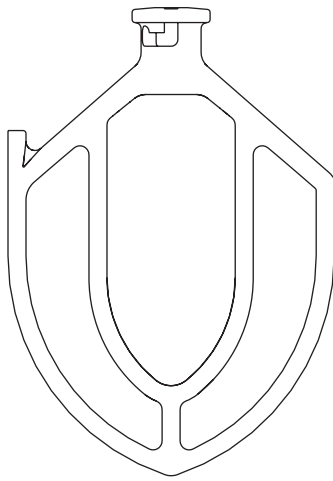


PL-58874

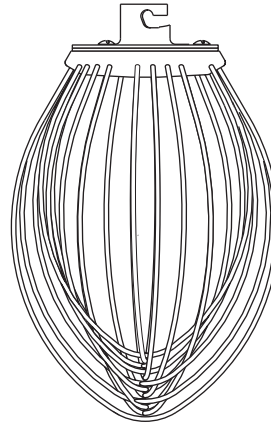
BOWL AND BOWL GUARD

BOWL AND BOWL GUARD

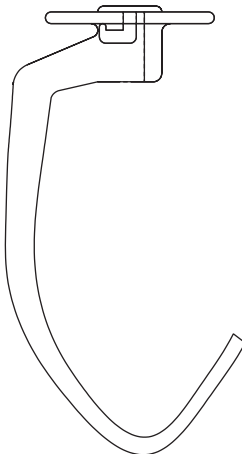
ILLUS. PL-58874	PART NO.	NAME OF PART	AMT.
1	00-916984	Cage	1
2	SC-119-95	Mach. Screw 10-24 x 1/2 Phil. Flat Hd.	4
3	00-916842	Bowl	1
4	00-917185	Magnet	1
5	00-917056	Plunger – Ball	4
6	00-916982	Ring – Drip	1



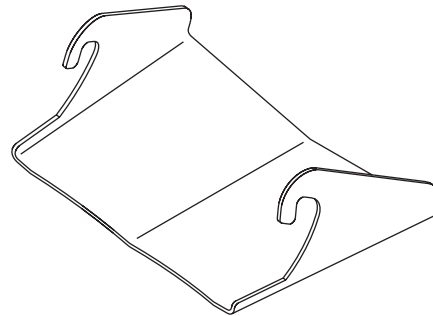
1



2



3



4

PL-58875

AGITATORS AND ACCESSORIES

ILLUS.	PART NO.	NAME OF PART	AMT.
1	00-916986-00002	"B" Beater (10 Qt.)	1
2	00-916916	"D" Wire Whip (10 Qt.)	1
3	00-478189	Dough Arm – Spiral #3.....	1
4	00-917106	Chute – Ingredient	1